

TECHNICAL PASSPORT

ПАСПОРТ ТЕХНИЧЕСКОГО ИЗДЕЛИЯ



GL6088

DISHWASHER

ПОСУДОМОЕЧНАЯ МАШИНА

KUPPERSBERG

DISHWASHER**CONTENTS****HEALTH AND SAFETY GUIDE**

SAFETY INSTRUCTIONS.....	3
SAFEGUARDING THE ENVIRONMENT.....	5
DECLARATION OF CONFORMITY.....	5

USE AND CARE GUIDE

PRODUCT DESCRIPTION	6
APPLIANCE.....	6
CONTROL PANEL.....	6
FIRST TIME USE	6
REFINED SALT AND RINSE AID.....	6
DETERGENT.....	8
PROGRAMS TABLE	9
PROGRAMS DESCRIPTION.....	9
OPTIONS AND FUNCTIONS	10
LOADING THE RACKS	10
UPPER RACK.....	11
LOWER RACK.....	12
CUTLERY RACK.....	12
DAILY USE	12
TIPS	13
CARE AND MAINTENANCE	13
CLEANING THE WATER INLET HOSE.....	14
CLEANING THE FILTER ASSEMBLY.....	14
CLEANING THE SPRAY ARMS.....	15
TROUBLESHOOTING	16
INSTALLATION	17
AFTER-SALES SERVICE	18
INSTALLATION GUIDE	19



THANK YOU FOR BUYING A KUPPERSBERG PRODUCT.

In order to receive a more complete assistance, please register your appliance on www.kuppersberg.ru



HEALTH AND SAFETY GUIDE

SAFETY INSTRUCTIONS

IMPORTANT TO BE READ AND OBSERVED

Before using the appliance carefully read these safety instructions.

Keep them close at hand for future reference.

These instructions and the appliance itself provide important safety warnings, to be observed at all times.

The manufacturer declines any liability for failure to observe these safety instructions, for inappropriate use of the appliance or incorrect setting of controls.

SAFETY WARNINGS

Very young (0-3 years) and young children (3-8 years) shall be kept away from the appliance unless continuously supervised. Children from 8 years old and above and persons with reduced physical, sensory or mental capabilities or lack of experience and knowledge can use this appliance only if they are supervised or have been given instructions on safe use and understand the hazards involved. Children must not play with the appliance. Cleaning and user maintenance must not be carried out by children without supervision.

PERMITTED USE

CAUTION: The appliance is not intended to be operated by means of an external timer or separate remote controlled system.

This appliance is solely for domestic, not professional use.

Do not use the appliance outdoors.

Do not store explosive or flammable substances such as aerosol cans and do not place or use gasoline or other flammable materials in or near the appliance: a fire may break out if the appliance is inadvertently switched on.

This appliance is intended to be used in household and similar applications such as:

- staff kitchen areas in shops, offices and other working environments;
- farm houses;
- by clients in hotels, motels and other residential type environments;
- bed and breakfast type environments.

The appliance must be used only to wash domestic crockery in accordance with the instructions in this manual.

The water supply tap must be shut off and the plug should be removed from the electrical socket at the end of every cycle and before cleaning the appliance or carrying out any maintenance work.

Disconnect also the appliance in the event of any malfunction.

INSTALLATION

The appliance must be handled and installed by two or more persons. Use protective gloves to unpack and install the appliance.

Installation and repairs must be carried out by a qualified technician, in compliance with the manufacturer's instructions and local safety regulations. Do

not repair or replace any part of the appliance unless specifically stated in the user manual.

Children should not perform installation operations. Keep children away during installation. Keep the packaging materials (plastic bags, polystyrene parts, etc.) out of reach of children, during and after the installation.

After unpacking the appliance, make sure that it has not been damaged during transport.

DISHWASHER

In the event of problems, contact the dealer or your nearest Aftersales Service.

The appliance must be disconnected from the power supply before any installation operation.

During installation, make sure the appliance does not damage the power cable.

Only activate the appliance when the installation has been completed.

Connection to the mains water supply must be carried out by a qualified technician in compliance with the manufacturers instructions and applicable local safety regulations.

The appliance is to be connected to the water mains using new hose sets. The old hose-sets should not be reused. All hoses must be securely clamped to prevent them coming loose during operation. All local waterboard regulations must be complied with. Water supply pressure 0.05 - 1.0 MPa.

The inlet water temperature depends on the dishwasher model. If the installed inlet hose is marked «25°C max», the maximum allowed water temperature is 25°C. For all other models the maximum allowed water temperature is 60°C.

Do not cut hoses and, in the case of appliances fitted with a waterstop system, do not immerse the plastic casing containing the inlet hose in water.

If hoses are not long enough, contact your local dealer.

Make sure the inlet and drain hoses are kink-free and are not crushed. Before using the appliance for the first time, check the water inlet and drain hose for leaks.

During use, the access to the rear wall should be limited in a sustainable manner such as approaching the device to the wall or furniture board.

When installing the appliance make sure that the four feet are stable and resting on the floor, adjusting them as required, and check

that the appliance is perfectly levelled using a spirit level.

If installing the appliance at the end of a row of units making the side panel accessible, the hinge area must be covered to prevent risk of crushing.

For dishwashers having ventilation openings in the base, the openings must not be obstructed by a carpet.

ELECTRICAL WARNINGS

For installation to comply with current safety regulations, an omnipolar switch with minimum contact gap of 3mm

is required and the appliance must be earthed.

If the power cable is damaged, replace with an identical one. The power cable must only be replaced by a qualified technician in compliance with the manufacturer instruction and current safety regulations. Contact an authorized service centre. If the fitted plug is not suitable for your socket outlet, contact a qualified technician. The power cable must be long enough to connect the appliance, once fitted in its housing, to the main power supply. Do not pull the power supply cable.

Do not use extension leads, multiple sockets or adapters.

Do not operate this appliance if it has a damaged mains cord or plug, if it is not working properly, or if it has been damaged or dropped. Keep the cord away from hot surfaces. The electrical components must not be accessible to the user after installation. Do not touch the appliance with any wet part of the body and do not operate it when barefoot.

CORRECT USE

The water in the dishwasher is not potable.

The maximum number of place settings is shown in the product sheet.

The door should not be left in the open position since this could present a tripping hazard. The open dishwasher door can only

support the weight of the loaded rack when pulled out. Do not rest objects on the door or sit or stand on it.

Use only detergent and rinse additives designed for an automatic dishwasher.

WARNING: Dishwasher detergents are strongly alkaline. They can be extremely dangerous if swallowed. Avoid contact with the skin and eyes and keep children away from the dishwasher when the door is open.

Check that the detergent receptacle is empty after completion of the wash cycle. Store the detergent, rinse aid and salt out of reach of children. **WARNING:** Knives and other utensils with sharp points must be loaded in the basket with their points down or placed in a horizontal position.

The water supply tap must be shut off and the plug should be removed from the electrical socket at the end of every program and before cleaning the dishwasher or carrying out any maintenance work. Disconnect also the dishwasher in the event of any malfunction.

CLEANING AND MAINTENANCE

Never use steam cleaning equipment.

Wear protective gloves for cleaning and maintenance.

The appliance must be disconnected from the power supply before any maintenance operation.

SAFEGUARDING

THE ENVIRONMENT

DISPOSAL OF PACKAGING MATERIALS

The packaging material is 100% recyclable and is marked with the recycle symbol:



The various parts of the packaging must therefore be disposed of responsibly and in full compliance with local authority regulations governing waste disposal.

SCRAPPING OF HOUSEHOLD APPLIANCES

When scrapping the appliance, make it unusable by cutting off the power cable and removing the doors and shelves (if present) so that children cannot easily climb inside and become trapped.

This appliance is manufactured with recyclable




or reusable materials. Dispose of it in accordance with local waste disposal regulations.

For further information on the treatment, recovery and recycling of household electrical appliances, contact your competent local authority, the collection service for household waste or the store where you purchase the appliance.

This appliance is marked in compliance with European Directive 2012/19/EU, Waste Electrical and Electronic Equipment (WEEE).

By ensuring this product is disposed of correctly, you will help prevent potential negative consequences for the environment and human health, which could otherwise be caused by inappropriate waste handling of this product.



The symbol  on the product or on the accompanying documentation indicates that it should not be treated as domestic waste but must be taken to an appropriate collection centre for the recycling of electrical and electronic equipment.

DECLARATION OF CONFORMITY

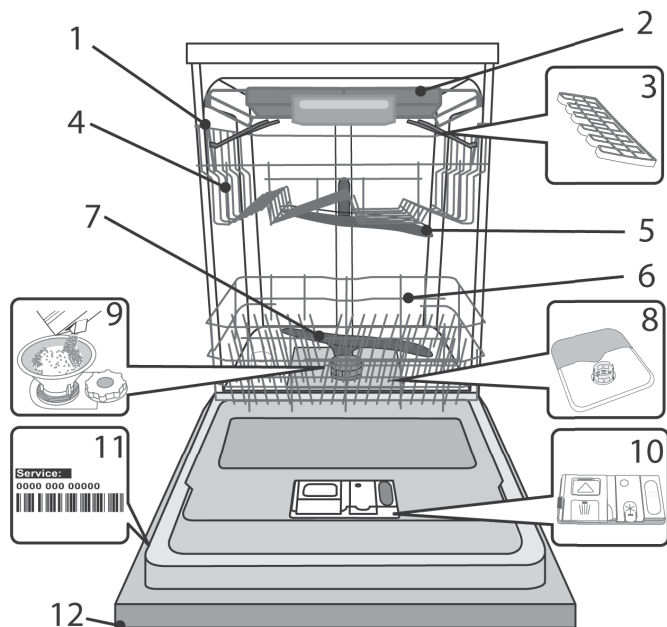
This appliance has been designed, constructed and distributed in compliance with the requirements of European Directives:

LVD 2014/35/EU, EMC 2014/30/EU and RoHS 2011/65/EU.

This appliance has been designed, constructed and distributed in compliance with the Ecodesign and energy Labelling Requirements of EC Directives: 2009/125/EC and 2010/30/EU.

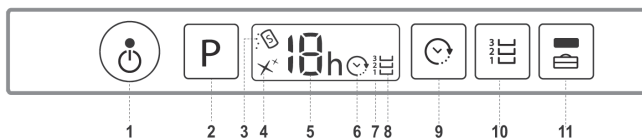
DISHWASHER

! PRODUCT DESCRIPTION APPLIANCE



- | | |
|-------------------------------|--|
| 1. Upper rack | 7. Lower spray arm |
| 2. Cutlery rack | 8. Filter Assembly |
| 3. Foldable flaps | 9. Salt reservoir |
| 4. Upper rack height adjuster | 10. Detergent and Rinse Aid dispensers |
| 5. Upper spray arm | 11. Rating plate |
| 6. Lower rack | 12. Control panel |

ПАНЕЛЬ УПРАВЛЕНИЯ



- | | |
|--|--|
| 1. On-Off/Reset button with indicator light | 6. Delay indicator light |
| 2. Program selection button | 7. Display |
| 3. Salt refill indicator light | 8. Multizone indicator light |
| 4. Rinse Aid refill indicator light | 9. Delay button |
| 5. Program number and remaining time indicator | 10. Multizone button |
| | 11. Tablet (Tab) button with indicator light |

! FIRST TIME USE

ADVICE REGARDING THE FIRST TIME USE

After the installation, remove the stoppers from the racks and the retaining elastic elements from the upper rack.

WATER SOFTENER SETTINGS

Before starting the first wash program, set the hardness level of the water from the mains supply FILLING THE SALT RESERVOIR.

First load the softener tank with water, then introduce about 1 kg of salt. It is perfectly normal for water to flow out.

As soon as this procedure is complete, run a program without loading. The «Pre-wash» program alone is NOT sufficient.

Residual saline solution or grains of salt can lead to deep-down corrosion, irreparably damaging the stainless steel components.

The guarantee is not applicable if faults are caused by such circumstances.

Only use salt that has been specifically designed for dishwashers.

After the salt has been poured into the machine, the **SALT REFILL indicator** light switches off.

If the salt container is not filled, the water softener and the heating element may be damaged as a result.

REFINED SALT AND RINSE AID

If you are using a multi-function product, we recommend that you add salt in any case, especially if the water is hard or very hard (follow the instructions given on the packaging).

If you do not add salt or rinse aid, the SALT REFILL and RINSE AID REFILL indicator lights will remain lit.

FILLING THE SALT RESERVOIR

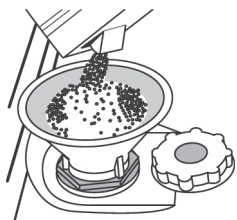
The use of salt prevents the formation of LIMESCALE on the dishes and on the machine's functional components.

➡ It is important that the salt reservoir be never empty.

DISHWASHER

➔ It is important to set the water hardness. The salt reservoir is located in the lower part of the dishwasher PRODUCT DESCRIPTION and should be filled:

➔ when the **SALT REFILL indicator light**  on the control panel is lit.



1. Remove the lower rack and unscrew the reservoir cap (anticlockwise).

2. Position the funnel (see figure) and fill the salt reservoir right up to its edge (approximately 1 kg); it is not unusual for a little water to leak out.

3. Remove the funnel and wipe any salt residue away from the opening.

Make sure the cap is screwed on tightly, so that no detergent can get into the container during the wash program (this could damage the water softener beyond repair).

Whenever you need to add salt, we recommend carrying out the procedure before the washing cycle is started.

SETTING THE WATER HARDNESS

To allow the water softener to work in a perfect way, it is essential that the water hardness setting is based on the actual water hardness in your house. This information can be obtained from your local water supplier.

The factory setting is for average (3) water hardness.

1. Switch on the appliance by pressing the ON/OFF button.

2. Switch off the appliance by pressing the ON/OFF button.

3. Hold down button P for 5 seconds, until you hear a beep.

4. Switch on the appliance by pressing the ON/OFF button.

5. The current selection level number and the salt indicator light both flash.

6. Press button P to select the desired hardness level (see Water Hardness Table).


7. Switch off the appliance by pressing the ON/OFF button.

Setting is complete!

Even if using multi-functional tablets, the salt dispenser should still be filled.

Water Hardness Table			
Level		°dH German degrees	°fH French degrees
1	Soft	0 - 6	0 - 10
2	Medium	7 - 11	11 - 20
3	Average	12 - 17	21 - 30
4	Hard	18 - 34	31 - 60
5	Very hard	35 - 50	61 - 90

FILLING THE RINSE AID DISPENSER

Rinse aid makes dish DRYING easier. The rinse aid dispenser A should be filled when the RINSE AID REFILL indicator light  on the control panel is lit.

1. Open the dispenser B by pressing and pulling up the tab on the lid.

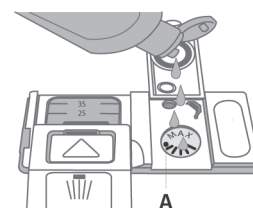
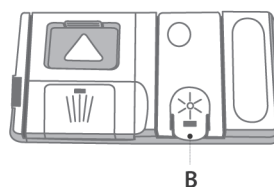
2. Carefully introduce the rinse aid as far as the maximum (110 ml) reference notch of the filling space - avoid spilling it. If this happens, clean the spill immediately with a dry cloth.

3. Press the lid down until you hear a click to close it.

NEVER pour the rinse aid directly into the tub.

ADJUSTING THE DOSAGE OF RINSE AID

If you are not completely satisfied with the drying results, you can adjust the quantity of rinse aid used.



DISHWASHER

➤ Switch the dishwasher on using the ON/OFF button.

➤ Switch it off using the ON/OFF button.

➤ Press button P three times - a beep will be heard.

➤ Switch it on using the ON/OFF button.

➤ The current selection level number and rinse aid indicator light flash.

➤ Press button P to select the level of rinse aid quantity to be supplied.

➤ Switch it off using the ON/OFF button

Setting is complete! If the rinse aid level is set to ZERO (ECO), no rinse aid will be supplied.

The LOW RINSE AID indicator light will not be lit if you run out of rinse aid. A maximum of 4 levels can be set according to the dishwasher model. The factory setting is for a medium level.

➤ If you see bluish streaks on the dishes, set a low number (1-2).

➤ If there are drops of water or limescale marks on the dishes, set a high number (3-4)

DETERGENT

Only use detergent which has been specifically designed for dishwashers.

DO NOT USE washing up liquid.

Using excessive detergent may result in foam residues remaining in the machine after the cycle has ended.

To achieve the best washing and drying results, the combined use of detergent, rinse aid liquid and refined salt is required.

We recommend using detergents that do not contain phosphates or chlorine, as these products are harmful to the environment.

FILLING THE DETERGENT DISPENSER

Good washing results also depend on the correct amount of detergent being used. Exceeding the stated amount does not result in a more effective wash and increases environmental pollution.

The amount can be adjusted to the soil level. In the case of normally soiled items, use approximately either 35g (powder detergent) or 35ml (liquid detergent) and additional tea

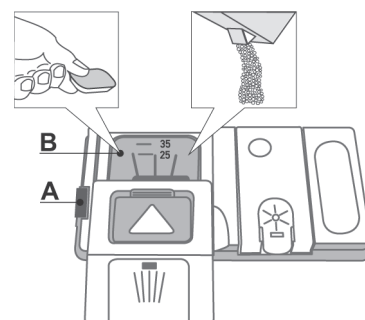
spoon of detergent directly inside the tub. If tablets are used, one tablet will be enough.

If the crockery is only lightly soiled or if it has been rinsed with water before being placed in the dishwasher, reduce the amount of detergent used accordingly (minimum 25 g/ml) e.g. skip the powder/gel putted inside the tub.

For good washing results also follow the instructions shown on the detergent box.

For further questions please ask the detergent producers.

To open the detergent dispenser use the opening device A.



Introduce the detergent into the dry dispenser B only.

Place the amount of detergent for pre-washing directly inside the tub.

➤ When measuring out the detergent refer to the (see PROGRAMS TABLE) to add the proper quantity. Compartment B comprises a level showing the maximum quantity of liquid or powder detergent that can be added to each cycle.

➤ Remove detergent residues from the edges of the dispenser and close the cover until it clicks.

➤ Close the lid of the detergent dispenser by pulling it up until the closing device is secured in place.

The detergent dispenser automatically opens up at the right time according to the program.

If all-in-one detergents are used, we recommend using the TABLET button, because it adjusts the program so that the best washing and drying results are always achieved.

DISHWASHER



PROGRAMS TABLE

Program		Drying phase	Available options *)	Detergent container		Duration of wash program (h:min) **)	Water consumption (litres/cycle)	Energy consumption (kWh/cycle)
				Tub	B			
1. Eco	50°	✓		✓	✓	3:40	9,0	1,05
2. Auto-Normal	-	✓		✓	✓	1:25-3:00	7,0-14,0	0,9-1,40
3. Intensive	65°	✓		-	✓	2:50	16,0	1,60
4. Daily	50°	✓		-	✓	1:30	13,0	1,15
5. Silent	50°	✓		-	✓	3:30	15,0	1,15
6. Rapid 30'	50°	-		-	✓	0:30	9,0	0,55
7. Cristal	45°	✓		-	✓	1:40	11,5	1,20
8. Pre-Wash	-	-		-	✓	0:12	4,5	0,01
9. Sanitizing	65°	✓		-	✓	1:40	10,0	1,30
10. Self-Clean	65°	-		-	-	0:50	8,0	0,85

ECO program data is measured under laboratory conditions according to European Standard EN 50242.

*) Not all options can be used simultaneously.

**) The duration of the program shown on the display or in the booklet is an estimate calculated on standard conditions. The actual time may vary depending on many factors such as temperature and pressure of the incoming water, room temperature, amount of detergent, quantity and type of load, load balancing, additional selected options and sensor calibration. The sensor calibration can increase program duration up to 20 min.

Standby consumption: Left-on mode consumption: 5 W - Off mode consumption: 0.5 W

PROGRAMS DESCRIPTION

Instructions on wash cycle selection.

ECO

Normally soiled crockery. Standard program, the most efficient in terms of its combined energy and water consumption.

AUTO-NORMAL

Automatic program for normally soiled pans and dishes.

INTENSIVE

Program recommended for heavily soiled crockery, especially suitable for pans and saucepans (not to be used for delicate items).

DAILY

Normally soiled crockery. Everyday cycle, that ensures optimal cleaning performance in shorter time.

SILENT

Suitable for night-time operation of the appliance. Optimum performance ensured.

RAPID 30'

Program to be used for lightly-soiled dishes with no dried food residues. Ideal for 2 place settings.

CRISTAL

Cycle for delicate items, which are more sensitive to high temperatures, for example glasses and cups.

PRE-WASH

Crockery to be washed later. No detergent to be used with this program.

SANITIZING

Normally or heavily soiled crockery, with additional antibacterial wash.

SELF-CLEAN

Cycle to be used to perform maintenance of the dishwasher. It cleans the interior of the appliance using hot water.

Notes:

Optimum performance levels when using the "Rapid" programs can be achieved by observing the maximum amounts of specified place settings. To reduce consumption even further, only run the dishwasher when it is full.

DISHWASHER

**OPTIONS AND FUNCTIONS**

OPTIONS can be selected directly by pressing the corresponding button (see CONTROL PANEL).

If an option is not compatible with the selected program (see PROGRAMS TABLE), the corresponding LED flashes rapidly 3 times and beeps will sound. The option will not be enabled.


MULTIZONE

If there are not many dishes to be washed, a half loading may be used in order to save water, electricity and detergent.

Select the program and then press the MULTIZONE button: the indicator over the button lights up and the symbol of the chosen rack will appear on the display. By default the appliance washes dishes in all racks.


To wash only the specific rack, press this button repeatedly:

1  - shown on the display (only lower rack)

2  - shown on the display (only upper rack)

3  - shown on the display (only cutlery rack)



1  - shown on the display (option is OFF and the appliance will wash dishes in all racks).

Remember to load the upper or lower rack only, and to reduce the amount of detergent accordingly.

TABLET (TAB)

This setting allows you to optimize the performance of the program according to

the type of detergent used. Press the TABLET button (the indicator light will light up) if you use combined detergents in tablet form (rinse aid, salt and detergent in 1 dose).

If you use powder or liquid detergent, this option should be off.

DELAY

The start time of the program may be delayed for a period of time between 1 and 12 hours.

1. Press the DELAY button: the corresponding symbol appears on the display; each time you press the button, the time (1 h, 2h, etc. up to max. 12h) from the start of the selected wash cycle will be increased.

2. Select the wash program and close the door: the timer will begin counting down;

3. Once this time has elapsed, the indicator light switches off and the wash cycle begins.

To adjust the delay time and select a shorter period of time, press the DELAY button. To cancel it, press the button repeatedly until the selected delayed start indicator light switches off.

The wash program will start automatically as soon as the door is shut.

The Delay function cannot be set once a wash cycle has been started.

**LOADING THE RACKS****TIPS**

Before loading the baskets, remove all food residues from the crockery and empty the glasses. **You do not need to rinse beforehand under running water.**

Arrange the crockery so that it is held in place firmly and does not tip over; and arrange the containers with the openings facing downwards and the concave/convex parts placed obliquely,

DISHWASHER

thus allowing the water to reach every surface and flow freely.

Warning: lids, handles, trays and frying pans do not prevent the sprayer arms from rotating.

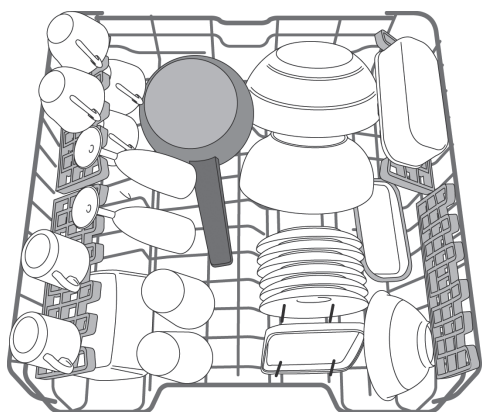
Place any small items in the cutlery basket.

Very soiled dishes and pans should be placed in the lower basket because in this sector the water sprays are stronger and allow a higher washing performance.

After loading the appliance, make sure that the sprayer arms can rotate freely.

UPPER RACK

Load delicate and light dishes: glasses, cups, saucers, low salad bowls. The upper rack has tip-up supports which can be used in a vertical position when arranging tea/ dessert saucers or in a lower position to load bowls and food containers.



(loading example for the upper rack)

ADJUSTING THE HEIGHT OF THE UPPER RACK

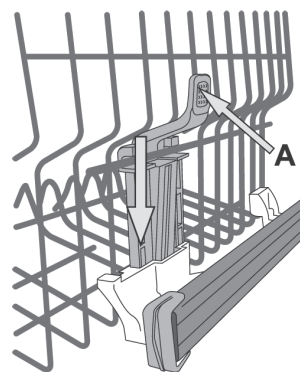
The height of the upper rack can be adjusted: high position to place bulky crockery in the lower basket and low position to make the most of the tip-up supports by creating more space upwards and avoid collision with the items loaded into lower rack.

The upper rack is equipped with a Upper Rack height adjuster (see figure), without pressing the levers, lift it up by simply holding the rack sides, as soon as the rack is stable in its upper position. To restore to the lower

position, press the levers A at the sides of the rack and move the basket downwards.

We strongly recommend that you do not adjust the height of the rack when it is loaded.

NEVER raise or lower the basket on one side only.



FOLDABLE FLAPS WITH ADJUSTABLE POSITION

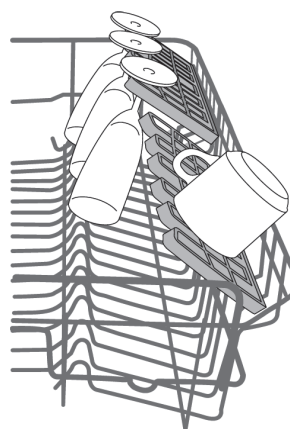
The foldable flaps can be positioned at three different heights to optimize the arrangement of crockery inside the rack.

Wine glasses can be placed safely in the foldable flaps by inserting the stem of each glass into the corresponding slots.

For optimum drying results incline foldable flaps more.

To change the inclination, pull up the foldable flap, slide it slightly and position it as you wish.

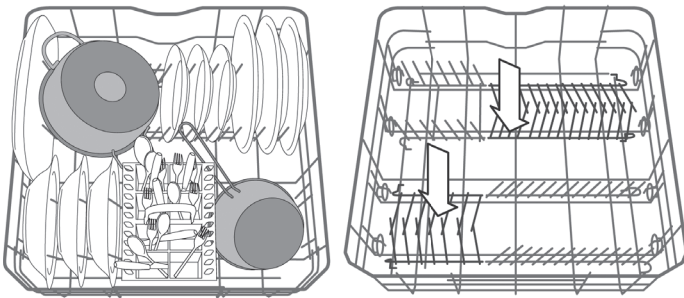
Use foldable flap as a plastic boxes holder to avoid relocation of light items by the water jets in the wash cycle.



DISHWASHER

LOWER RACK

For pots, lids, plates, salad bowls, cutlery etc. Large plates and lids should ideally be placed at the sides, to avoid interferences with the spray arm.



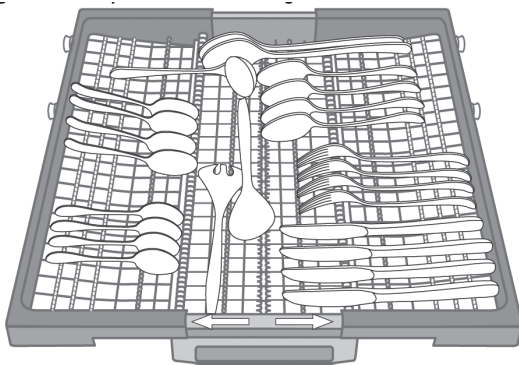
(loading example for the lower basket)

The lower rack has tip-up supports which can be used in a vertical position when arranging plates or in a horizontal position (lower) to load pans and salad bowls easily.

CUTLERY BASKET

The third rack was designed to house the cutlery.

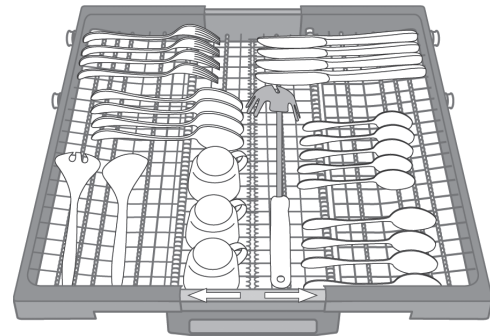
Arrange the cutlery as shown in the figure.



A separate arrangement of the cutlery makes collection easier after washing and improves washing and drying performance.

Knives and other utensils with sharp edges must be positioned with the blades facing downwards.

The geometry of the rack makes it possible to place such small items as coffee cups in the area in the middle.



DAILY USE

1. CHECK WATER CONNECTION

Check that the dishwasher is connected to the water supply and that the top is open.

2. SWITCH ON THE DISHWASHER

Open the door and press the ON/OFF button.

3. LOAD THE RACKS

(see LOADING THE RACKS)

4. FILLING THE DETERGENT DISPENSER

(see PROGRAMS TABLE).

5. CHOOSE THE PROGRAM AND CUSTOMISE THE CYCLE

Select the most appropriate program in accordance with the type of crockery and its soiling level PROGRAMS DESCRIPTION by pressing the P button.

Select the desired options (see LOADING THE RACKS).

6. START

Start the wash cycle by closing the door. When the program starts you hear a beep.

7. END OF WASH CYCLE

The end of the wash cycle is indicated by beeps and the flashing of the indicator light of the selected program. Open the door and

switch off the appliance by pressing the ON/OFF button.

Wait for a few minutes before removing the crockery - to avoid burns.

Unload the racks, beginning with the lower one.

The machine will switch off automatically during certain extended periods of inactivity, in order to minimise electricity consumption. If the crockery is only lightly soiled or if it has been rinsed with water before being placed in the dishwasher, reduce the amount of detergent used accordingly.

MODIFYING A RUNNING PROGRAM

If a wrong program was selected, it is possible to change it, provided that it has only just begun: open the door (be ware of HOT steam!), press and hold the ON/OFF button, the machine will switch off.

Switch the machine back on using the ON/OFF button and select the new wash cycle and any desired options; start the cycle by closing the door.

ADDING EXTRA CROCKERY

Without switching off the machine, open the door (**be ware of HOT steam!**) and place the crockery inside the dishwasher.

Close the door and the cycle will begin from the point at which it was interrupted.

ACCIDENTAL INTERRUPTIONS

If the door is opened during the wash cycle, or if there is a power cut, the cycle stops. It starts again from the point at which it was interrupted once the door has been closed or the electricity supply is restored.



TIPS

UNSUITABLE CROCKERY

- Wooden crockery and cutlery.
- Delicate decorated glasses, artistic handicraft and antique crockery. Their decorations are not resistant.
- Parts in synthetic material which do not withstand high temperatures.
- Copper and tin crockery.
- Crockery soiled with ash, wax, lubricating grease or ink.

The colours of glass decorations and aluminium/silver pieces can change and fade during the washing process.

Some types of glass (e.g. crystal objects) can become opaque after a number of wash cycles too.

DAMAGE TO GLASS AND CROCKERY

- Only use glasses and porcelain guaranteed by the manufacturer as dishwasher safe.
- Use a delicate detergent suitable for crockery to avoid white strips on the glass use.
- Collect glasses and cutlery from the dishwasher as soon as the wash cycle is over.

HYGIENE

To avoid odour and sediment which can be accumulated in the dishwasher please run a high temperature program at least one a month. Use a tea spoon of detergent and run it without the loading to clean your appliance.



CARE AND MAINTENANCE

ATTENTION: Always unplug the appliance when cleaning it and when performing maintenance work.

Do not use flammable liquids to clean the machine.

DISHWASHER

CLEANING THE DISHWASHER

Any marks on the inside of the appliance may be removed using a cloth dampened with water and a little vinegar.

The external surfaces of the machine and the control panel can be cleaned using a non-abrasive cloth which has been dampened with water. Do not use solvents or abrasive products.



PREVENTING UNPLEASANT ODOURS

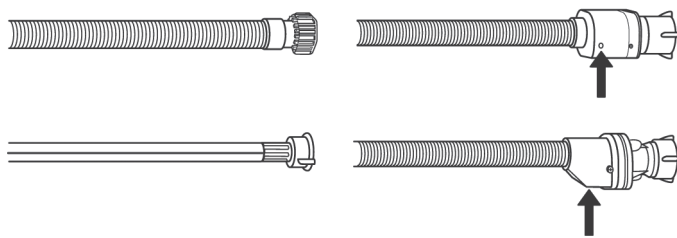
Always keep the door of the appliance ajar in order to avoid moisture from forming and being trapped inside the machine.

Clean the seals around the door and detergent dispensers regularly using a damp sponge. This will avoid food becoming trapped in the seals, which is the main cause behind the formation of unpleasant odours.

CHEKING THE WATER SUPPLY HOSE

Check the inlet hose regularly for brittleness and cracks. If damaged, replace it by a new hose available through our After-Sales Service or your specialist dealer.

Depending on the hose type:



If the inlet hose has a transparent coating, periodically check if the colour intensifies locally. If yes, the hose may have a leak and should be replaced.

For water stop hoses: check the small safety valve inspection window (see arrow). If it is red, the water stop function was triggered, and the hose must be replaced by a new one.

For unscrewing this hose, press the release button while unscrewing the hose.

CLEANING THE WATER INLET HOSE

If the water hoses are new or have not been used for an extended period of time, let the water run to make sure it is clear and free of impurities before performing the necessary connections. If this precaution is not taken, the water inlet could become blocked and damage the dishwasher.

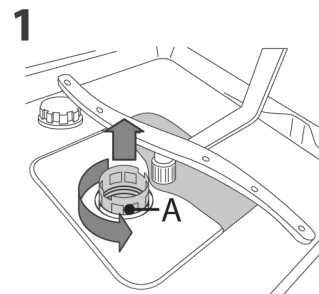
CLEANING THE FILTERA SSEMBLY

Regularly clean the filter assembly so that the filters do not clog and that the waste water flows away correctly.

The filter assembly consists of three filters which remove food residues from the washing water and then recirculate the water. They must be cleaned if you wish to achieve the best results in every wash.

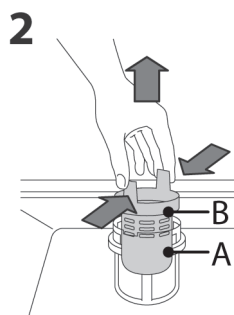
After several washes, check the filter assembly and if necessary clean it thoroughly under running water, using a non-metallic brush and following the instructions below:

1. Turn the cylindrical filter A in an anti-clockwise direction and pull it out.

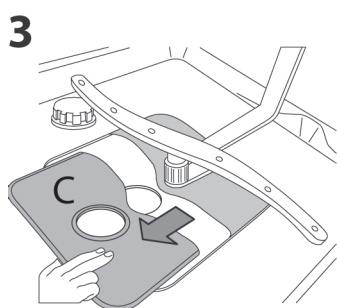


DISHWASHER

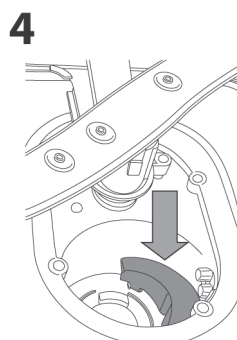
2. Remove the cup filter B by exerting a slight pressure on the side flaps.



3. Slide out the stainless-steel plate filter C.



4. Inspect the trap and remove any food residues. NEVER REMOVE the wash-cycle pump protection (black detail).



After cleaning the filters, re-place the filter assembly and fix it in position correctly; this is essential for maintaining the efficient operation of the dishwasher.

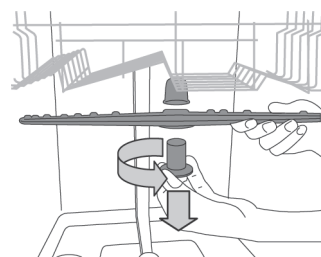
The dishwasher must not be used without filters or if the filter is loose.

Clean the filters regularly.

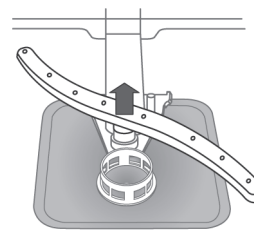
CLEANING THE SPRAY ARMS

On occasions, food residue may become encrusted onto the spray arms and block the holes used to spray the water. It is therefore recommended that you check the arms from time to time and clean them with a small non-metallic brush.

To remove the upper spray arm, turn the plastic locking ring in an anticlockwise direction. The upper spray arm should be replaced so that the side with the greater number of holes is facing upwards.



The lower spray arm can be removed by pressing on the side tabs and pulling it upwards.



LEAVING THE MACHINE UNUSED FOR EXTENDED PERIODS

Disconnect the appliance from the electricity supply and shut off the water tap.

Leave the door of the appliance ajar.

When you return, run a program when the dishwasher is empty.

DISHWASHER



TROUBLESHOOTING

Your dishwasher may not work properly.

Before contacting the Service Centre check if the problem can be solved by going through the following list.

PROBLEMS	POSSIBLE CAUSES	SOLUTIONS
The dishwasher won't start or does not respond to commands.	The appliance has not been plugged in properly.	Insert the plug into the socket.
	Power outage.	The dishwasher starts automatically when the power returns.
	The dishwasher door is not closed.	Vigorously push the door until you hear the "click".
	It does not respond to commands.	Switch off the appliance by pressing the ON/OFF button, switch it back on after approximately one minute and reset the program.
The door doesn't lock.	Racks are not fit to the end.	Verify that racks are fit to the end.
	The door is not lock.	Vigorously push the door until you hear the "clack" sound.
The dishwasher won't drain.	The wash cycle has not finished yet.	Wait until the wash cycle finishes.
	The drain hose is bent.	Check that the drain hose is not bent (see <i>Installation Guide</i>).
	The sink drain pipe is blocked.	Clean the sink drain pipe.
	The filter is clogged up with food residues	Clean the filter (see <i>CLEANING THE FILTER ASSEMBLY</i>).
The dishwasher makes excessive noise.	The dishes are rattling against each.	Arrange the crockery correctly (see <i>LOADING THE RACKS</i>).
	An excessive amount of foam has been produced.	The detergent has not been measured out correctly or it is not suitable for use in dishwashers (see <i>FILLING THE DETERGENT DISPENSER</i>). Reset dishwasher by pressing the DRAIN button (see <i>OPTIONS AND FUNCTIONS</i>) and run new program without detergent.
The dishes have not been dried.	The selected program hasn't any drying phase.	Verify on the programs table if the selected program has the drying phase.
	The rinse aid has run out or the resolution is not adequate.	Add the rinse aid or adjust the dosage levels higher (see <i>FILLING THE RINSE AID DISPENSER</i>).
	The dishes are made of non-stick or plastic.	It is normal the presence of drops of water (see <i>TIPS</i>).
The dishes are not clean.	The crockery has not been arranged properly.	Arrange the crockery correctly (see <i>LOADING THE RACKS</i>).
	The spray arms cannot rotate freely, being hindered by the dishes.	Arrange the crockery correctly (see <i>LOADING THE RACKS</i>).
	The wash cycle is too gentle and/or detergent efficiency is low.	Select an appropriate wash cycle (see <i>PROGRAMS TABLE</i>).
	An excessive amount of foam has been produced.(see <i>AFTER-SALES SERVICE</i>)	The detergent has not been measured out correctly or it is not suitable for use in dishwashers (see <i>FILLING THE DETERGENT DISPENSER</i>). Reset dishwasher by pressing the DRAIN button (see <i>OPTIONS AND FUNCTIONS</i>) and run new program without detergent.
	The cap on the rinse aid compartment has not been shut correctly.	Make sure the cap of the rinse aid dispenser is closed.
	The filter is soiled or clogged.	Clean the filter assembly (see <i>CARE AND MAINTENANCE</i>).
	There is no salt.	Fill the salt reservoir (see <i>FILLING THE SALT RESERVOIR</i>).
The dishwasher does not fill the water.	No water in the water supply or the tap is closed.	Make sure there is water in the water supply or the tap running.
	The inlet hose is bent.	Make sure the drain hose is not bent (see <i>INSTALLATION</i>) reprogram the dishwasher and reboot.
	The sieve in the water inlet hose is clogged; it is necessary to clean it	After having carried out the verification and cleaning, turn off and turn on the dishwasher and restart a new program.
The dishes and glasses show calcination or a whitish film.	The salt level is too low.	Fill the salt reservoir (see <i>FILLING THE SALT RESERVOIR</i>).
	The adjustment of the water hardness is not adequate.	Increase the values (see <i>Water Hardness Table</i>).
	The cap of the salt reservoir is not properly closed.	Check to have properly closed the salt reservoir cap.
	The rinse aid is used up or the dosage is insufficient.	Add the rinse aid or adjust the dosage levels higher.
The dishes and glasses are blue streaked or have a bluish tinge.	The rinse aid dosage is excessive.	Adjust the dosage rates below.

INSTALLATION

ATTENTION: If the appliance must be moved at any time, keep it in an upright position; if absolutely necessary, it may be tilted onto its back.

CONNECTING THE WATER SUPPLY

Adaptation of the water supply for installation should only be performed by a qualified technician.

The water inlet and outlet hoses may be positioned towards the right or the left in order to achieve the best possible installation.

Make sure the dishwasher does not bend or squash the hoses.

CONNECTING THE WATER INLET HOSE

- Run the water until it is perfectly clear.
- Screw the inlet hose tightly into position and turn on the tap.

If the inlet hose is not long enough, contact a specialist store or an authorised technician.

The water pressure must be within the values indicated in the Technical Data table - otherwise the dishwasher may be function properly.

Make sure the hose is not bent or compressed.

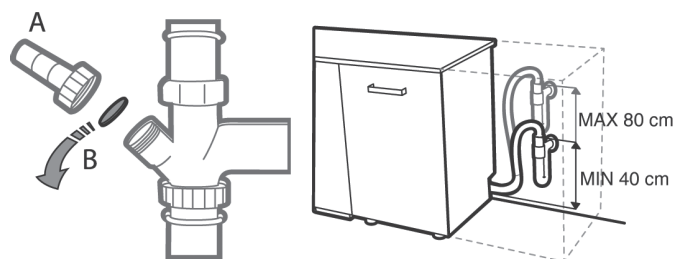
SPECIFICATIONS FOR THE CONNECTION OF THE WATER SUPPLY HOSE:

WATER SUPPLY	cold or hot (max. 60°C)
WATER INTAKE	3/4"gas
POWER OF WATER PRESSURE	0,05 ÷ 1MPa (0.5 ÷ 10 bar) 7,25 - 145 psi

CONNECTING THE WATER OUTLET HOSE

Connect the outlet hose to a drain duct with a minimum diameter of 2 cm A

The outlet hose connection must be at a height ranging from 40 to 80 cm from the floor or surface where the dishwasher rests.



Before connecting the water outlet hose to the sink drain, remove the plastic plug B.

ANTI-FLOODING PROTECTION

Anti-flooding protection. To ensure floods do not occur, the dishwasher:

➤ is provided with a special system which blocks the water supply in the event of anomalies or leaks from inside the appliance.

Some models are also equipped with the supplementary safety device **New Aqua Stop**, which guarantees anti-flooding protection even in the event of a supply hose rupture.

Under no circumstances should the water inlet hose be cut as it contains live electrical parts.

ELECTRICAL CONNECTION



WARNING: Under no circumstances should the water inlet hose be cut as it contains live electrical parts.

Before inserting the plug into the electrical socket, make sure that:

➤ The socket is **earth**  and complies with current regulations;

➤ The socket can withstand the maximum load of the appliance as shown on the data plate located on the inside of the door (see PRODUCT DESCRIPTION).

➤ The power supply voltage falls within the values indicated on the data plate on the inside of the door.

DISHWASHER

➡ The socket is compatible with the plug of the appliance.

If this is not the case, ask an authorised technician to replace the plug (see AFTER-SALES SERVICE). Do not use extension cables or multiple sockets. Once the appliance has been installed, the power supply cable and the electrical socket should be easily accessible.

The cable should not be bent or compressed.

If the power supply cable is damaged, have it replaced by the manufacturer or its authorised Technical Assistance Service in order to prevent all potential hazards.

The Company shall not be held responsible for any incidents, if these regulations are not observed.

POSITIONING AND LEVELLING

1. Position the dishwasher on a level sturdy floor. If the floor is uneven, the front feet of the appliance may be adjusted until it reaches a horizontal position. If the appliance is levelled correctly, it will be more stable and much less likely to move or cause vibrations and noise while it is operating.

2. Before recessing the dishwasher, stick the adhesive transparent strip under the wooden shelf in order to protect it from any condensation which may form.

3. Place the dishwasher so that its sides or back panel are in contact with the adjacent cabinets or the wall. This appliance can also be recessed under a single worktop.

4. To adjust the height of the rear foot, turn the red hexagonal bushing on the lower central part at the front of the dishwasher using a hexagonal spanner with an opening of 8 mm. Turn the spanner in a clockwise direction to increase the height and in an anticlockwise direction to decrease it.

DIMENSIONS, CAPACITY AND STANDBY CONSUMPTION:

WIDTH	595 mm
HEIGHT	820 mm
DEPTH	580 mm
CAPACITY	14 standard place-settings
STANDBY CONSUMPTION:	Left-on mode - 5 W Off mode - 0,5 W



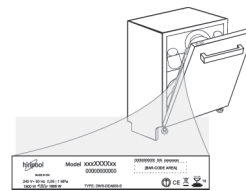
AFTER-SALES SERVICE

CONTACTING AFTER-SALES SERVICE

When you contact the After-Sales Service, you must provide the codes shown on the rating plate attached to the left or right side inside the door of the dishwasher.

The phone number is listed in the warranty booklet or on the Kuppertsberg website:

<http://www.kuppertsberg.ru>



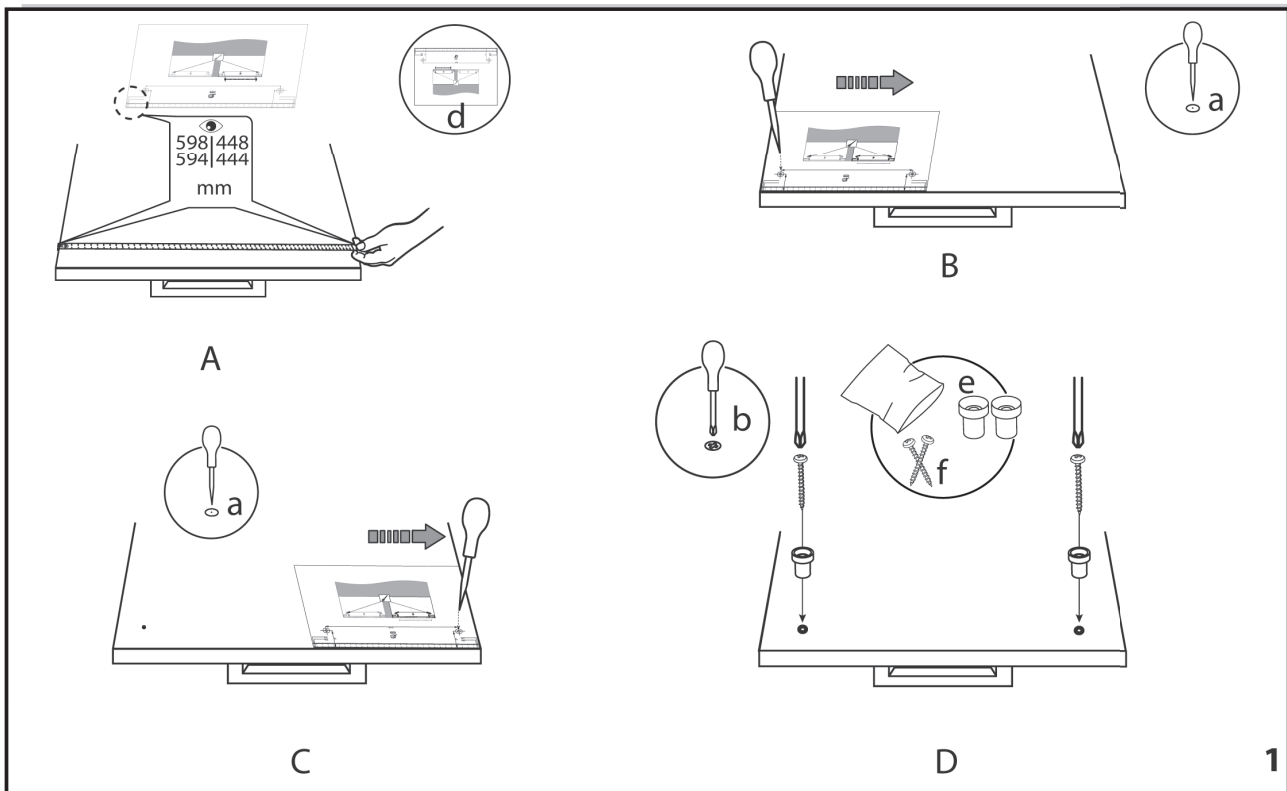
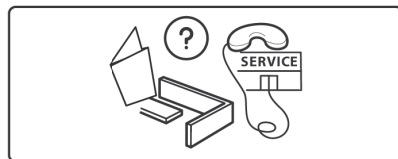
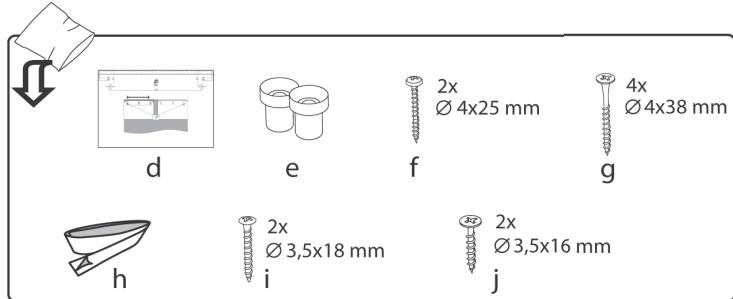
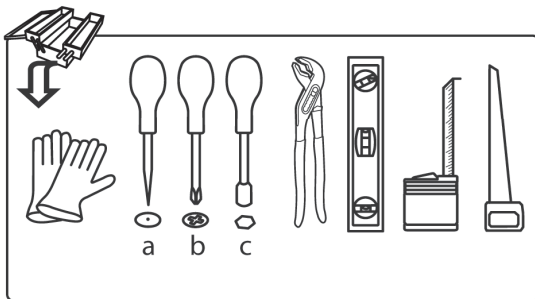
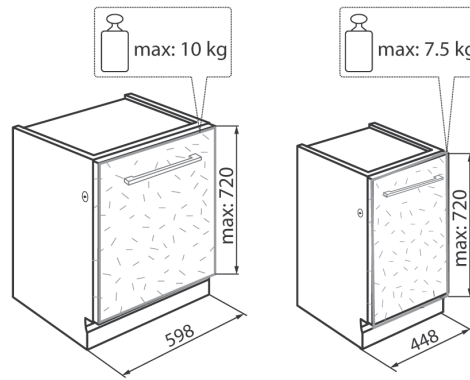
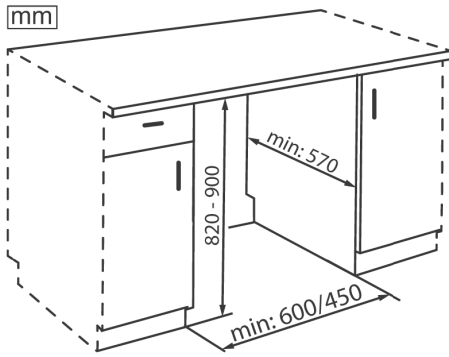
TECHNICAL DATASHEET

The technical data containing the energy consumption data can be downloaded from the Kuppertsberg website:

<http://www.kuppertsberg.ru>

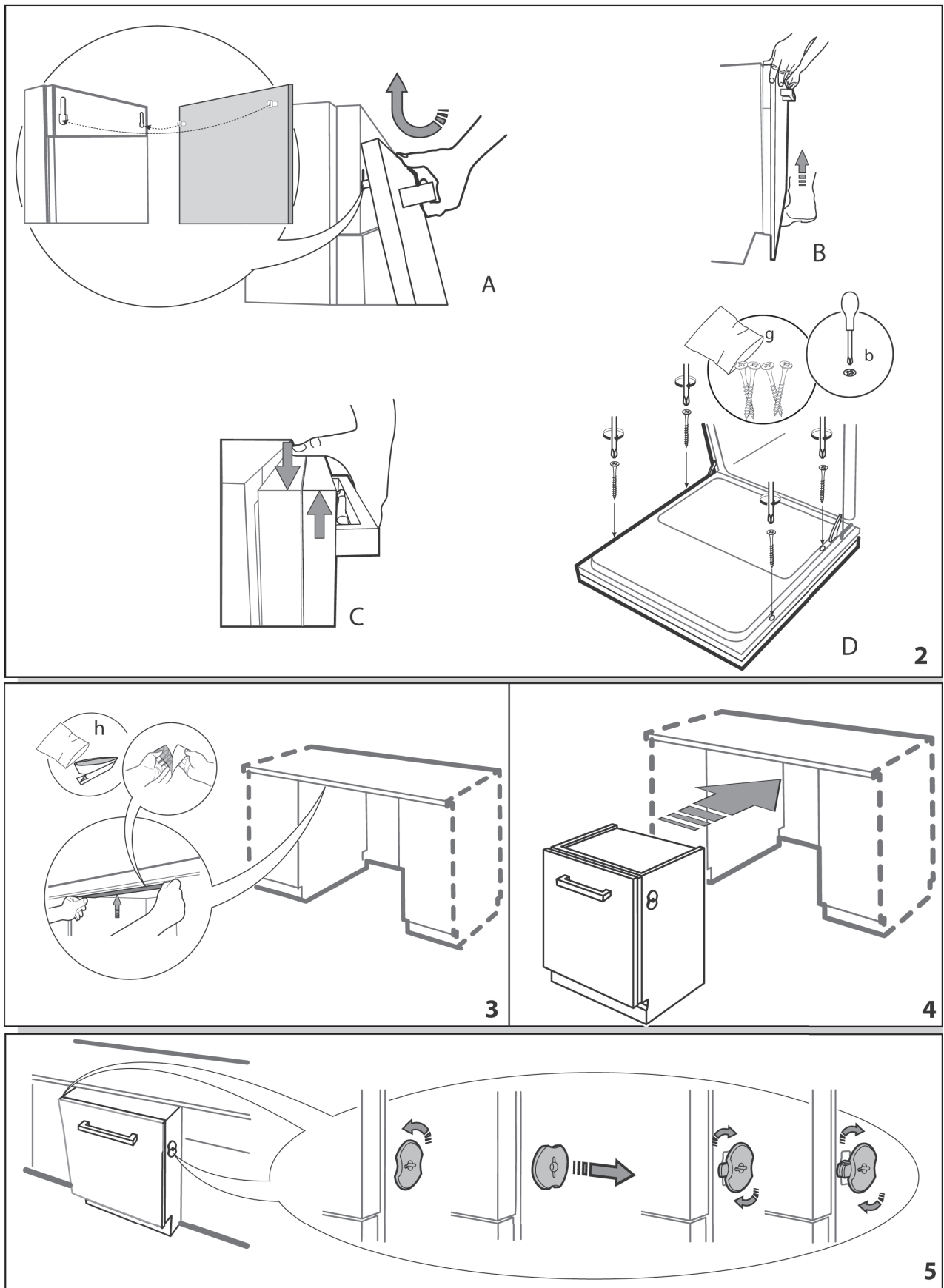
DISHWASHER

Installation Guide

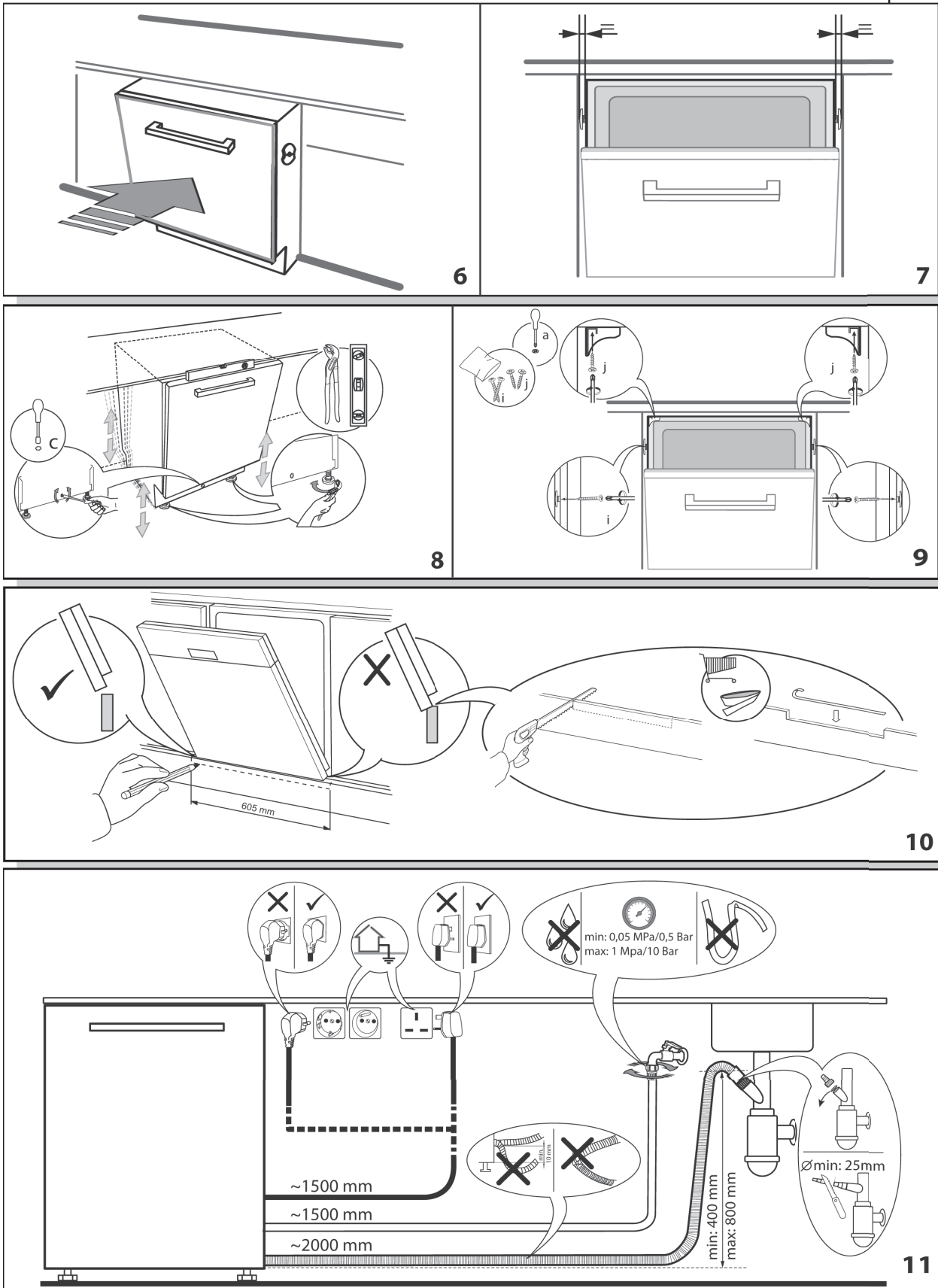


1

DISHWASHER

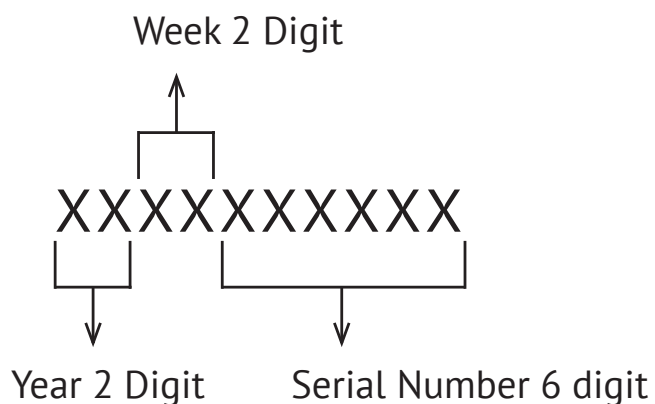


DISHWASHER



DISHWASHER

SERIAL NUMBER:



MANUFACTURERS:

Indesit Company Polska Sp. Z o.o.
97500 Radomsko, ul. Merloniego 4, POLAND

IMPORTERS TO RUSSIA:

LLC «MG Rusland», 141400
Moscow region, Khimki, Butakovo, 4

LLC «Kuppersberg-Import», 125438
Moscow, Avtomotornaya, 7

Made in Poland.



ПОСУДОМОЕЧНАЯ МАШИНА



СОДЕРЖАНИЕ

РУКОВОДСТВО ПО БЕЗОПАСНОСТИ	
ИНСТРУКЦИИ ПО БЕЗОПАСНОСТИ.....	23
ОХРАНА ОКРУЖАЮЩЕЙ СРЕДЫ	25
СЕРТИФИКАТ СООТВЕТСТВИЯ	25
РУКОВОДСТВО ПО ИСПОЛЬЗОВАНИЮ И ОБСЛУЖИВАНИЮ	
ОПИСАНИЕ ПРОДУКТА	26
УСТРОЙСТВО	26
ПАНЕЛЬ УПРАВЛЕНИЯ.....	26
ПЕРВОЕ ИСПОЛЬЗОВАНИЕ.....	26
ОЧИЩЕННАЯ СОЛЬ И ОПОЛАСКИВАТЕЛЬ	26
МОЮЩЕЕ СРЕДСТВО.....	28
ТАБЛИЦА ПРОГРАММ	29
ОПИСАНИЕ ПРОГРАММ	29
ОПЦИИ И ФУНКЦИИ	30
ЗАГРУЗКА КОРЗИН	30
ВЕРХНЯЯ КОРЗИНА.....	31
НИЖНЯЯ КОРЗИНА.....	32
КОРЗИНА ДЛЯ СТОЛОВЫХ ПРИБОРОВ	32
ЕЖЕДНЕВНОЕ ИСПОЛЬЗОВАНИЕ.....	32
СОВЕТЫ.....	33
УХОД И ОБСЛУЖИВАНИЕ.....	33
ОЧИСТКА ШЛАНГА ПОДАЧИ ВОДЫ	34
ОЧИСТКА ФИЛЬТРОВ.....	34
ОЧИСТКА РАЗБРЫЗГИВАТЕЛЕЙ	35
ПОИСК И УСТРАНЕНИЕ НЕИСПРАВНОСТЕЙ	36
УСТАНОВКА	37
СЕРВИСНЫЙ ЦЕНТР	38
РУКОВОДСТВО ПО УСТАНОВКЕ.....	39
УСЛОВИЯ ГАРАНТИИ.....	42

ПОСУДОМОЕЧНАЯ МАШИНА

**БЛАГОДАРИМ ВАС
ЗА ПРИОБРЕТЕНИЕ
ПРОДУКЦИИ КОМПАНИИ
KUPPERSBERG.**

Для более полной поддержки, пожалуйста, зарегистрируйте ваш прибор на сайте www.kuppersberg.ru

**ИНСТРУКЦИИ ПО
БЕЗОПАСНОСТИ****ВАЖНО ПРОЧЕСТЬ И ПРИНЯТЬ
ВО ВНИМАНИЕ**

Внимательно прочтите, прежде чем приступить к эксплуатации.

Держите инструкцию под рукой в случае необходимости.

Данные инструкции содержат ряд мер по безопасности, которые необходимо соблюдать.

Производитель снимает с себя какую-либо ответственность в случае отказа ознакомиться с инструкциями, в случае некорректного использования прибора или в случае неверной настройки панели управления.

ПРЕДОСТЕРЕЖЕНИЕ ОБ ОПАСНОСТИ

Держите детей (до 8 лет) вдали от прибора. Использовать только в присутствии взрослых. Дети старше 8 лет, а также люди с ограниченными способностями, могут использовать прибор только под контролем. Детям запрещено играть с прибором. Дети не могут использовать или производить очистку машины.

РАЗРЕШЕННОЕ ИСПОЛЬЗОВАНИЕ

ВНИМАНИЕ: Прибор не предназначен для использования через внешний таймер или универсальный пульт управления.

Прибор предназначен только для домашнего, а не профессионального использования.

Не используйте прибор на улице.

Не храните взрывчатые или воспламеняющиеся составы, такие как аэрозольные баллоны, бензин или другие воспламеняющиеся

материалы возле прибора: есть риск возгорания, если прибор включен.

Прибор предназначен для домашнего использования, включая:

➔ кухни для персонала в магазинах, офисах и других рабочих помещениях;

➔ на дачах;

➔ клиентами в отелях, мотелях и подобных вариантах временного проживания;

➔ в гостиницах типа «постель и завтрак».

Прибор предназначен для мытья домашней утвари в соответствии с инструкциями данного руководства. Кран для воды должен быть перекрыт, а розетка извлечена из гнезда по завершению каждого цикла работы прибора, а также для очистки и других процедур по уходу за прибором.

Отключайте прибор также в случае любой неисправности.

УСТАНОВКА

Транспортировку и установку прибора должны осуществлять двое или более человек. Используйте защитные перчатки для распаковки и установки прибора.

Установка и ремонт должны производиться квалифицированным мастером в соответствии с инструкциями производителя и местными требованиями по безопасности. Запрещено чинить или производить замену любых частей прибора, если такое не предусмотрено в руководстве по эксплуатации.

Детям запрещена установка прибора. Держите детей в стороне во время установки. Держите упаковочные материалы (пластиковые мешки, пенопласт и т.д.) в стороне от детей.

После распаковки прибора убедитесь, что он не поврежден после транспортировки. В случае возникновения проблем обратитесь к поставщику или в ближайший пункт сервиса.

Прибор должен быть отключен от электричества перед началом установки.

Во время установки убедитесь, что шнур питания прибора не поврежден.

ПОСУДОМОЕЧНАЯ МАШИНА

Только по завершению установки, прибор может быть включен.

Подключение воды должен осуществлять квалифицированный мастер в соответствии с инструкциями производителя и местными нормами безопасности.

Прибор следует подключать к воде, используя новые шланги. Старые шланги не подлежат использованию. Все шланги должны быть надежно закручены и зафиксированы во избежание обратного раскручивания. Необходимо соблюдать все местные нормы водоснабжения. Требуемое давление подачи воды 0.05-1.0 Мпа.

Температура впускной воды зависит от модели посудомоечной машины. Если установленный впускной шланг отмечен «25 C max», то максимально допустимая температура воды 25 C. Для всех других моделей максимально допустимая температура воды 60 C.

Не обрезайте шланги. Если прибор снабжен системой прекращения подачи воды, не опускайте пластиковое крепление впускного шланга в воду.

Если длины шланга недостаточно, свяжитесь с вашим поставщиком. Убедитесь, что впускной и сливной шланги не перекручены и не зажаты. До первого использования прибора проверьте впускной и сливной шланг на протечку.

Во время использования доступ к задней панели должен быть ограничен, например, придвиньте к стене или мебели.

Во время установки прибора убедитесь, что ножки ровно и устойчиво стоят на полу, регулируйте их по необходимости и убедитесь, что прибор стоит прочно.

Если вы устанавливаете посудомоечную машину, оставляя боковую панель доступной, необходимо спрятать крепежи во избежание травм.

При установке посудомоечной машины на ковре убедитесь, что ковер не перекрывает

вентиляционные отверстия в основании машины.

ЭЛЕКТРОБЕЗОПАСНОСТЬ

Для установки в соответствии с текущими правилами безопасности, требуется многополярный переключатель с минимальным шагом контакта в 3 мм. Заземлите прибор.

Если шнур питания поврежден, замените его идентичным. Шнур питания может быть заменен только квалифицированным мастером в соответствии с требованиями производителя, а также правилами безопасности.

Свяжитесь с авторизованным сервисным центром. Если вилка не подходит под вашу сетевую розетку, свяжитесь с мастером. Шнур питания должен доставать до розетки. Не тяните шнур питания.

Не используйте дополнительные шнуры, адаптеры или переносные розетки.

Не используйте прибор, если поврежден сетевой шнур или вилка сетевого шнура. Запрещено пользоваться прибором, если он не работает должным образом, а также, если Вы уронили или повредили устройство. Держите шнур вдали от горячих поверхностей. Электрические части не должны быть доступны после установки. Не трогайте прибор мокрыми руками и не используйте, если вы не обуты.

ДОПУСТИМОЕ ИСПОЛЬЗОВАНИЕ

Вода в посудомоечной машине не пригодна для питья.

Максимальная загрузка дана в описании продукта.

Во избежание травм не следует держать дверь машины открытой.

Открытую дверь следует использовать только для поддержки загруженной корзины при разгрузке.

Не оставляйте посторонние предметы на двери, не сидите и не стойте на ней.

Используйте моющие средства, разработанные только для посудомоечных машин.

ПОСУДОМОЕЧНАЯ МАШИНА

ПРЕДУПРЕЖДЕНИЕ: Моющие средства для посудомоечных машин строго щелочные. Они могут быть чрезвычайно опасны для здоровья. Избегайте контакта с кожей и глазами, держите детей в стороне, когда дверь открыта.

Проверяйте, пустой ли контейнер для моющего средства после каждого цикла работы. Храните моющие, ополаскивающие средства и соль вдали от детей.

ПРЕДУПРЕЖДЕНИЕ: Ножи и прочие принадлежности с острыми наконечниками следует загружать в корзине остриями, обращенными вниз, либо в горизонтальном положении.

Кран подачи воды необходимо закручивать, а шнур должен быть выдернут из розетки после завершения цикла работы, а также до начала процедуры очистки машины.

Отключайте машину в случае любой неисправности.

ОЧИСТКА И ХРАНЕНИЕ

Никогда не используйте систему очистки паром. Надевайте защитные перчатки для процедуры очистки. Прибор должен быть отключен от питания до начала любой процедуры.



ОХРАНА ОКРУЖАЮЩЕЙ СРЕДЫ

УНИЧТОЖЕНИЕ УПАКОВОЧНЫХ МАТЕРИАЛОВ

Все упаковочные материалы 100% пригодны для вторичной переработки, на них стоит знак:




Различные составные части упаковочного материала должны быть утилизированы в соответствии с нормами служб по утилизации отходов.

УТИЛИЗАЦИЯ ПРИБОРА

Когда будете утилизировать прибор, отрежьте кабель электропитания, выньте полки (если есть), удалите дверцу, чтобы предотвра-

тить риск ее запираания при попадании внутрь прибора детей.




На приборе стоит знак  пригодность для вторичного использования. Утилизируйте прибор в соответствии с нормами служб по утилизации товаров.

Для более подробной информации по уходу и утилизации домашней бытовой техники, свяжитесь с компетентными службами по утилизации домашней бытовой техники или магазином, где вы приобретали прибор.

Прибор имеет знак (WEEE) – соответствие с Европейской Директивой ЕС 2012/19/EU об утилизации электрического и электронного оборудования.

Произведя надлежащую утилизацию прибора, вы помогаете предотвратить потенциально негативные последствия для окружающей среды и здоровья людей, ущерб которым может быть нанесен в случае ненадлежащей утилизации этого оборудования.



Символ  на оборудовании или на сопровождающих документах указывает, что нельзя утилизировать прибор как домашний мусор, необходимо транспортировать его в соответствующий центр по утилизации и переработке электрических и электронных приборов.

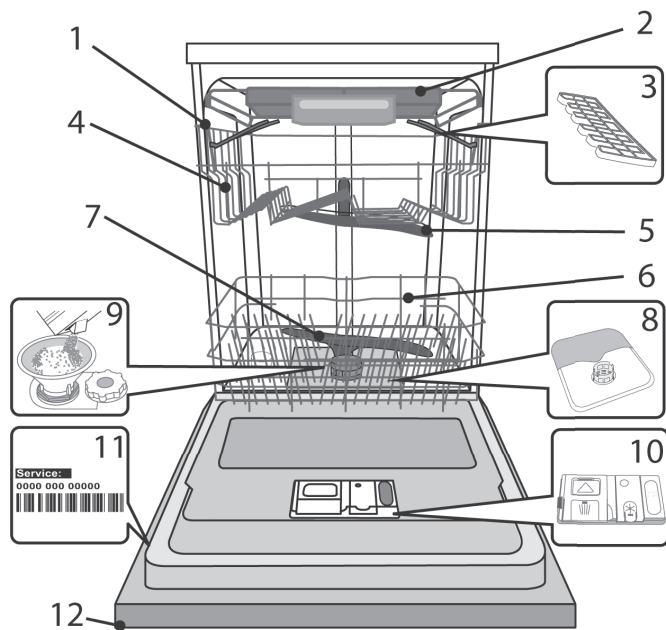
СЕРТИФИКАТ СООТВЕТСТВИЯ

Этот прибор был разработан, собран и хранится в соответствии с требованиями Европейской Директивы: LVD 2014/35/EU, EMC 2014/30/EU и RoHS 2011/65/EU.

Этот прибор был разработан, собран и хранится в соответствии с требованиями Директивы ЕС по экодизайну и энергетической маркировке: 2009/125/ЕС и 2010/30/EU.

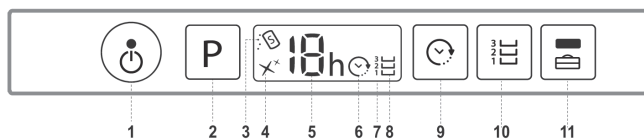
ПОСУДОМОЕЧНАЯ МАШИНА

**ОПИСАНИЕ ПРОДУКТА
ОБОРУДОВАНИЕ**



- | | |
|-----------------------------------|---|
| 1. Верхняя корзина | 7. Нижний разбрызгиватель |
| 2. Корзина для столовых приборов | 8. Узел фильтров |
| 3. Откидные панели | 9. Резервуар для соли |
| 4. Регулятор высоты верхней полки | 10. Дозатор для моющих и ополаскивающих средств |
| 5. Верхний разбрызгиватель | 11. Заводской паспорт |
| 6. Нижняя корзина | 12. Панель управления |

ПАНЕЛЬ УПРАВЛЕНИЯ



- | | |
|--|---|
| 1. Кнопка Вкл.- Выкл./Перезагрузка с индикатором света | 6. Световой индикатор отложенного старта |
| 2. Кнопка выбора программы | 7. Панель управления |
| 3. Световой индикатор пополнение соли | 8. Световой индикатор Multizone |
| 4. Световой индикатор пополнения ополаскивателя | 9. Кнопка отложенного старта |
| 5. Номер программы и индикатор оставшегося времени цикла | 10. Кнопка Multizone |
| | 11. Кнопка Таблетка (Tab) со световым индикатором |

ПЕРВОЕ ИСПОЛЬЗОВАНИЕ

СОВЕТЫ ПРИ ПЕРВОМ ИСПОЛЬЗОВАНИИ

После установки уберите блокираторы и оставшиеся резиновые элементы с верхней полки.

УСТАНОВКА МЯГКОСТИ ВОДЫ

До запуска первой программы, установите самый жесткий режим воды из предложенных, ЗАПОЛНИВ РЕЗЕРВУАР СОЛЮ. Сначала залейте воду в лоток смягчителя, затем загрузите около 1 кг соли. Вода удалит всю соль.

Как только процедура завершена, запустите программу без загрузки машины. Программа «предварительная мойка» сама по себе **НЕ** является достаточной в этом случае.

Оставшийся соленой раствор или крупички соли могут привести к глубокой коррозии, повреждая части из нержавеющей стали без возможности дальнейшего восстановления. Гарантия не вступает в силу, если были нарушены эти условия.

Используйте соль, предназначенную для посудомоечных машин.

Как только соль попала в машину, выключается индикатор SALT REFILL (Пополнить соль).

Если в контейнере нет соли, то можно повредить смягчитель воды и нагревающий элемент.

СОЛЬ И ОПОЛАСКИВАТЕЛЬ

Если вы используете многофункциональный продукт, мы рекомендуем вам всегда добавлять соль, особенно если жесткость воды высокая.

(Следуйте инструкциям, указанным на упаковке).

Если вы не будете добавлять соль или ополаскиватель, световые индикаторы Пополнить Соль и Пополнить Ополаскиватель будут светиться.

ПОПОЛНЕНИЕ РЕЗЕРВУАРА СОЛИ

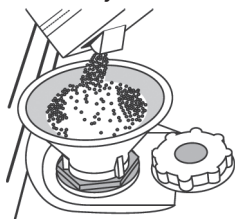
Использование соли предотвращает образование ИЗВЕСТКОВОГО НАЛЕТА на посуде и на функциональных частях машины.

ПОСУДОМОЕЧНАЯ МАШИНА

➔ Важно, чтобы резервуар соли всегда был наполнен.

➔ Важно установить жесткость воды.

Резервуар соли находится в нижней части машины (см. ОПИСАНИЕ ПРОДУКТА), и его необходимо пополнять, когда зеленый поплавок чаши резервуара соли уже не виден.



1. Сдвиньте нижнюю корзину и открутите чашу резервуара (против часовой стрелки).

2. Зафиксируйте чашу (см. рисунок) и заполните резервуар соли до края (примерно 1 кг);

3. возможны небольшие подтеки воды.

4. Верните чашу и вытрите остатки соли с входного канала.

Убедитесь, что чаша хорошо прикручена и никакое моющее средство не протечет в контейнер во время работы программы (это может привести к повреждению смягчителя воды без возможности восстановления).

Вне зависимости от времени появления светового индикатора Добавить Соль, мы рекомендуем проводить данную процедуру до начала работы цикла.

УСТАНОВКА ЖЕСТКОСТИ ВОДЫ

Для эффективной работы смягчителя нужно установить жесткость воды, исходя из реальной жесткости воды в вашем доме. Эту информацию можно получить от вашего поставщика воды.

Заводская установка для трех (3) уровней жесткости воды.

1. Включите прибор, нажав кнопку ON/OFF.

2. Выключите прибор, нажав кнопку ON/OFF.

3. Удерживайте кнопку P в течение 5 секунд, пока не услышите сигнал.

4. Включите прибор, нажав кнопку ON/OFF.

5. Загорится световой индикатор текущих настроек.

6. Нажмите кнопку P, чтобы выбрать уровень жесткости (см. Таблица Жесткости Воды).

7. Выключите прибор, нажав кнопку ON/OFF. Установка завершена.

Резервуар соли должен быть наполнен, даже при использовании многофункциональных таблеток.

Таблица Жесткости Воды

Уровень	dH немецкий градус	fH французский градус
1 Мягкая	0-6	0-10
2 Средняя Мягкость	7-11	11-20
3 Средняя	12-17	21-30
4 Жесткая	18-34	31-60
5 Очень жесткая	35-50	61-90

ЗАГРУЗКА ОПОЛАСКИВАТЕЛЯ

Ополаскиватель облегчает процесс мытья. Загрузочный лоток **В** должен быть заправлен, когда начинает гореть **ИНДИКАТОР УРОВНЯ ОПОЛАСКИВАТЕЛЯ** на панели управления ✨.

Ополаскиватель облегчает процесс мытья. Загрузочный лоток **В** должен быть заправлен, когда начинает гореть **ИНДИКАТОР УРОВНЯ ОПОЛАСКИВАТЕЛЯ** на панели управления ✨

1. Откройте дозатор **В**, потянув крышку.

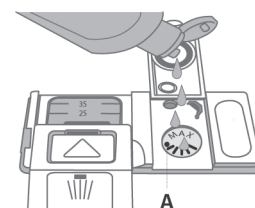
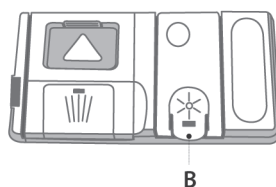
2. Осторожно залейте моющее средство до максимального уровня (110 мл.), не проливая мимо. Если это произошло, немедленно вытрите пролитую жидкость сухой тряпкой.

3. Закройте дозатор до характерного щелчка.

НИКОГДА не заливайте средство напрямую в трубу.

РЕГУЛИРОВКА ДОЗИРОВКИ ОПОЛАСКИВАТЕЛЯ

Если вы не совсем довольны результатами мойки, вы можете изменить количество ополаскивателя.



ПОСУДОМОЕЧНАЯ МАШИНА

➔ Включите посудомоечную машину, нажав кнопку ON/OFF.

➔ Выключите ее, нажав кнопку ON/OFF.

➔ Нажмите кнопку Р три раза, пока не услышите звуковой сигнал.

➔ Включите, нажав кнопку ON/OFF.

➔ Загорится текущая установка уровня моющего средства и ополаскивателя.

➔ Нажмите кнопку Р, чтобы выбрать уровень и количество загрузки средства.

➔ Выключите, нажав кнопку ON/OFF.

Установка завершена.

Если уровень ополаскивателя стоит на отметке ZERO (ECO), ополаскиватель не будет добавляться. Индикатор НИЗКИЙ УРОВЕНЬ ОПОЛАСКИВАТЕЛЯ (LOW RINSE AID) не появится, если закончился ополаскиватель.

Согласно установкам посудомоечной машины, можно выбрать 4 уровня.

Заводская установка стоит на среднем уровне.

➔ если вы видите голубоватые прожилки на посуде, поставьте низкий уровень (1-2),

➔ если остаются капли воды или известковый налет на посуде, выставите высокий уровень (3-4).

МОЮЩЕЕ СРЕДСТВО

Используйте моющее средство, предназначенное для посудомоечных машин.

НЕ ИСПОЛЬЗУЙТЕ жидкость для мытья посуды.

Использование чрезмерного количества моющего средства может привести к образованию пены и ее оседанию в машине по завершению цикла.

Сбалансированное количество моющего средства, ополаскивателя и соли позволит достигнуть лучших результатов мойки и сушки посуды.

Мы рекомендуем использовать моющее средство, которое не содержит фосфаты или хлор, так как эти продукты наносят вред окружающей среде.

ЗАГРУЗКА ДОЗАТОРА МОЮЩЕГО СРЕДСТВА

Хорошие результаты мойки зависят от верного количества используемого моющего средства. Превышение указанного количества не приводит к лучшим результатам и вредит окружающей среде.

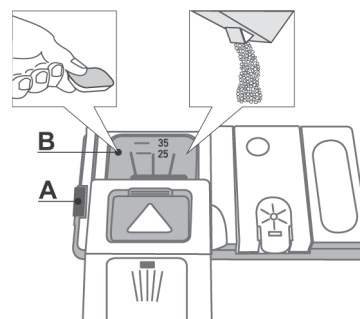
В зависимости от уровня загрязнения количество может быть изменено.

Когда уровень загрязнения в норме, используйте либо 25 гр. (порошковое моющее средство), либо 25 мл. (жидкое моющее средство) и добавьте чайную ложку средства прямо в трубу. Если вы используете таблетки, то одной будет достаточно.

Если посуда слегка загрязнена, или вы ее сполоснули под водой до загрузки в машину, уменьшайте количество моющего средства соответственно. Например, не добавляйте средство в трубу.

Следуйте инструкциям на упаковке моющего средства. В случае возникновения дальнейших вопросов, пожалуйста, свяжитесь с производителями моющих средств.

Откройте дозатор (см. на рисунке А).



Заправляйте моющее средства только в сухой дозатор В.

Для цикла предварительной мойки добавляйте моющее средства сразу внутрь трубы.

1. Отмеряя моющее средство, обратитесь к разделу ТАБЛИЦА ПРОГРАММ и сверьте количество. Отдел В показывает уровень максимального количества жидкого или порошкообразного моющего средства для каждого цикла.

2. Удалите остатки моющего средства с краев дозатора и закройте крышку до щелчка.

3. Закройте крышку дозатора, потянув вверх до тех пор, пока не зафиксируется в исходном положении.

Дозатор моющего средства автоматически открывается в нужное время согласно выбранной программе.

Если вы используете «все в одном» средство, мы рекомендуем использовать кнопку **TABLET** (таблетка), программа меняется для достижения наилучшего результата мойки.

ПОСУДОМОЕЧНАЯ МАШИНА



ТАБЛИЦА ПРОГРАММ

Программа		Фаза сушки	Доступные опции *)	Моющее средство		Длительность цикла (ч.:мин.) **)	Потребление воды (литры/цикл)	Потребление энергии (кВт/цикл)
				Труба	В			
1. Eco	50°	✓		✓	✓	3:40	9,0	1,05
2. Auto-Normal	-	✓		✓	✓	1:25-3:00	7,0-14,0	0,9-1,40
3. Intensive	65°	✓		-	✓	2:50	16,0	1,60
4. Daily	50°	✓		-	✓	1:30	13,0	1,15
5. Silent	50°	✓		-	✓	3:30	15,0	1,15
6. Rapid 30'	50°	-		-	✓	0:30	9,0	0,55
7. Cristal	45°	✓		-	✓	1:40	11,5	1,20
8. Pre-Wash	-	-		-	✓	0:12	4,5	0,01
9. Sanitizing	65°	✓		-	✓	1:40	10,0	1,30
10. Self-Clean	65°	-		-	-	0:50	8,0	0,85

ECO программа протестирована в лаборатории в соответствии с Европейскими стандартами EN50242.

*) Нельзя использовать все функции одновременно.

**) Длительность программ, светящаяся на дисплее или указанная в буклете – приблизительная цифра, сформированная в универсальных условиях. Реальное время может варьироваться в зависимости от многих факторов: температура или давление впускной воды, комнатной температуры, количества моющего средства, количества и качества загрузки машины, выбранные дополнительные функции, а также от калибровки сенсора. Калибровка сенсора может увеличить время работы цикла до 20 минут.

Потребление в режиме ожидания: при включении - 5 Вт., при выключении – 0.5 Вт.

ОПИСАНИЕ ПРОГРАММ

Инструкции по выбору моющего цикла.

ECO

Стандартная программа для средней загрязненности посуды с оптимальным потреблением воды и электроэнергии.

AUTO – NORMAL

Автоматическая программа для стандартно загрязненной посуды.

INTENSIVE

Программа для серьезных загрязнений, наиболее подходящая для мойки сковородок и кастрюль (не следует использовать в случае деликатного ухода).

DAILY

Ежедневный цикл для средней загрязненности посуды, рассчитанный на оптимальные результаты при малых временных затратах.

SILENT

Идеальные условия для мойки в ночное время
RAPID 30'

Подходит для мойки слегка загрязненной посуды без остатков еды. (идеально на 2 загрузки).

CRISTAL

Программа для деликатной мойки предметов, чувствительных к высоким температурам, например, стекло или чашки.

PRE-WASH

Посуда должна быть вымыта позже. С этой программой не используют моющее средство.

SANITIZING

Программа для средне или сильнозагрязненной посуды, с дополнительной антибактериальной мойкой

SELF-CLEAN

Цикл, предназначенный для поддержки машины в обслуживании. Чистит машину внутри горячей водой.
Заметка: Наилучшие результаты мойки при использовании режима «Rapid» будут достигнуты при соблюдении правила загрузки, указанных в описании программ.

Для снижения потребления используйте машину только при полной загрузке.

ПОСУДОМОЕЧНАЯ МАШИНА

**ОПЦИИ И ФУНКЦИИ**

ОПЦИИ можно выбрать, нажав соответствующую кнопку (см. раздел ПАНЕЛЬ УПРАВЛЕНИЯ).

Если опция не совпадает с выбранной программой (см. ТАБЛИЦА ПРОГРАММ), то звуковой сигнал промигает три раза знак LED. Опция не может быть активирована.

MULTIZONE

Если скопилось не так много посуды для мойки, можно использовать половинную загрузку в целях экономии воды, электричества и моющего средства.

Выберите программу, затем нажмите кнопку MULTIZONE: загорится световой индикатор над кнопкой, появится символ выбранной корзины на панели. По умолчанию, машина моет во всех корзинах. Если вы хотите помыть только в одной корзине, нажмите эту кнопку несколько раз:

1 - высветится на панели (только для нижней корзины)

2 - высветится на панели (только для верхней корзины)

3 - высветится на панели (только для корзины для столовых приборов)



1 высветится на панели (опция отключена, и машина будет мыть во всех корзинах).

Не забудьте загрузить либо нижнюю, либо только верхнюю корзину, и уменьшить количество моющего средства.

TABLET (TAB)

Эта опция позволяет оптимизировать работу программ в зависимости от типа используемого моющего средства. Нажмите кнопку TABLET (загорится световой индикатор), если

вы используете комбинированную таблетку (состоящую из ополаскивателя, моющего средства и соли в одном).

Если вы используете порошок или жидкое моющее средство эту опцию следует выключить.

DELAY ОТЛОЖЕННЫЙ СТАРТ

Старт программы можно отложить на период от одного до 12 часов.

1. Нажмите кнопку DELAY: появится соответствующий символ на панели; каждый раз нажимая кнопку, время (1ч., 2ч., и т.д. до макс. 12 ч.), начиная от старта выбранной программы цикла, будет откладываться.

2. Выберите программу мойки, закройте дверцу: таймер начнет отсчет.

3. Как только время истечет, световой индикатор погаснет, начнет работу цикл.

Чтобы изменить время отложенного старта и выбрать другое время, нажмите кнопку DELAY. Чтобы отменить, нажимайте кнопку несколько раз, пока световой индикатор выбранного отложенного старта не погаснет.

Программа мойки начнется автоматически, как только дверца будет закрыта.

Функция DELAY не может сработать, если цикл мойки уже начался.

**ЗАГРУЗКА КОРЗИН****СОВЕТЫ**

До начала загрузки удалите остатки еды со всей посуды и вылейте жидкость из стаканов.

Вам не нужно мыть посуду жидкостью под проточной водой.

Устанавливайте посуду прочно, чтобы она не опрокинулась. Все емкости должны располагаться дном вверх, а выпуклая или вогнутая посуда стояла под наклоном, чтобы с нее могла стекать и свободно циркулировать вода.

Предупреждение: крышки, ручки, лотки и сковородки не должны препятствовать вращению разбрызгивателей.

ПОСУДОМОЕЧНАЯ МАШИНА

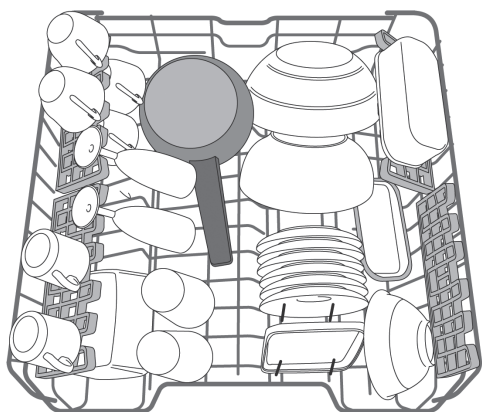
Все мелкие элементы кладите в корзину для столовых приборов.

Сильно загрязненную посуду и кастрюли необходимо помещать в нижнюю корзину, в этой части напор воды сильнее и мойка эффективнее.

После загрузки машины убедитесь, что разбрызгиватели могут вращаться свободно.

ВЕРХНЯЯ КОРЗИНА

Загружайте хрупкую и легкую посуду: стаканы, чашки, соусники, салатные миски. Верхняя корзина имеет откидную панель, которую можно использовать в вертикальном положении для загрузки чашек/десертных приборов и нижнюю позицию для загрузки мисок и пищевых контейнеров.



(пример загрузки верхней корзины)

РЕГУЛИРОВКА ВЫСОТЫ ВЕРХНЕЙ КОРЗИНЫ

Высоту верхней корзины можно регулировать: верхняя позиция для загрузки крупной посуды на нижнюю корзину, и нижняя позиция, чтобы оптимально использовать откидные панели, создавая выше больше пространства.

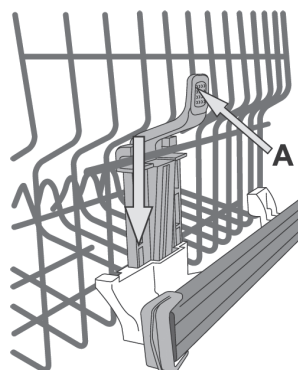
Верхняя корзина снабжена (см. рисунок) Регулятором Высоты Верхней Корзины. Не сжимая боковые фиксаторы, просто поднимите корзину за боковые стенки до фиксации в верхней позиции.

Чтобы вернуть положение ниже, сожмите боковые фиксаторы А с боков корзины, передвиньте ее вниз.

Мы настоятельно рекомендуем не менять высоту корзины, когда она уже загружена.

НИКОГДА не меняйте высоту только с одной стороны.

ОТКИДНЫЕ ПАНЕЛИ С РЕГУЛИРОВКОЙ ПОЛОЖЕНИЯ



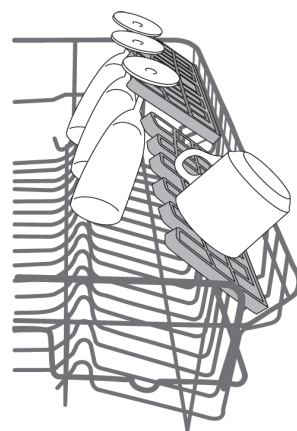
Откидные панели могут быть установлены в трех положениях для оптимальной загрузки посуды на корзине.

Винные стаканы можно загружать на панели, помещая ножку каждого стакана в соответствующий разъем.

Для оптимальной сушки сильнее наклоните откидные панели.

Чтобы изменить угол наклона, выдвиньте вперед панели, наклоните слегка и зафиксируйте так, как вам надо.

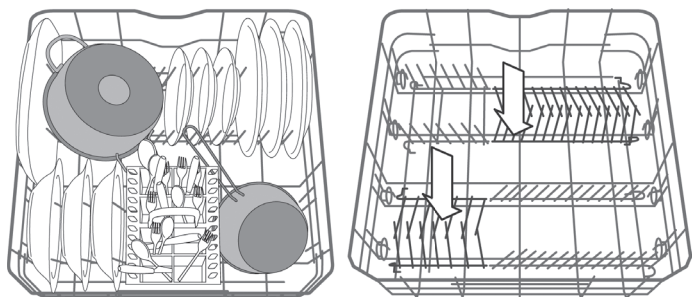
Используйте откидные панели для мелких элементов посуды, не позволяя им перемещаться в машине во время работы цикла.



ПОСУДОМОЕЧНАЯ МАШИНА

НИЖНЯЯ КОРЗИНА

Для кастрюль, тарелок, салатников, ножей и тд. Широкие тарелки и кастрюли следует загружать по бокам, чтобы не мешать работе разбрызгивателей.

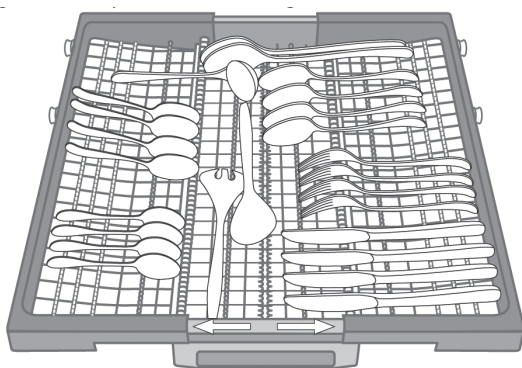


(пример загрузки нижней корзины)

Нижняя корзина имеет дополнительную поверхность, которую можно использовать при вертикальной загрузке тарелок или при горизонтальной загрузке сковородок и салатников.

КОРЗИНА ДЛЯ СТОЛОВЫХ ПРИБОРОВ

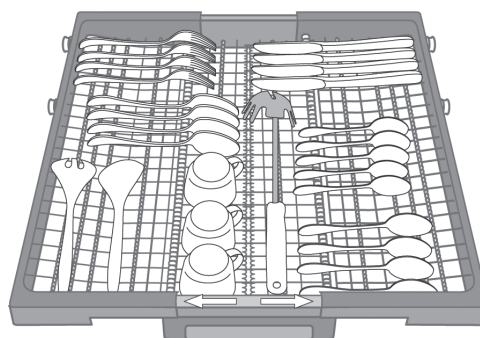
Третья корзина была разработана для мойки столовых приборов. Загрузите приборы как показано на рисунке.



Раздельная загрузка столовых приборов облегчает разгрузку корзины после мойки и улучшает качество мойки.

Ножи и другие острые приборы следует помещать в контейнер острием вниз или разместить горизонтально на откидных отделениях верхней корзины.

Конфигурация корзины позволяет загружать посередине такие мелкие приборы, как кофейные ложки.



ЕЖЕДНЕВНОЕ ИСПОЛЬЗОВАНИЕ

1. ПРОВЕРЬТЕ ПОДКЛЮЧЕНИЕ К ВОДЕ

Проверьте, что машина подключена к водопроводу и кран открыт.

2. ВКЛЮЧИТЕ ПОСУДОМОЕЧНУЮ МАШИНУ

Откройте дверцу и нажмите ON/OFF кнопку.

3. ЗАГРУЗИТЕ КОРЗИНЫ

(см раздел ЗАГРУЗКА КОРЗИН)

4. ЗАГРУЗИТЕ МОЮЩЕЕ СРЕДСТВО

(см. раздел ПОПОЛНЕНИЕ МОЮЩЕГО СРЕДСТВА)

5. ВЫБЕРИТЕ ПРОГРАММУ, НАСТРОЙТЕ ЦИКЛ

Выберите наиболее подходящую программу, в зависимости от типа посуды и уровня ее загрязнения согласно разделу ОПИСАНИЕ ПРОГРАММ, нажав кнопку P.

Выберете нужные опции (см. раздел ЗАГРУЗКА КОРЗИН).

6. СТАРТУЙТЕ

Начинайте цикл мойки, закрыв дверцу. Когда программа начнет работу, вы услышите звуковой сигнал.

7. ЗАВЕРШЕНИЕ ЦИКЛА.

Когда цикл завершается, раздается звуковой сигнал и загорается индикатор вы-

ПОСУДОМОЕЧНАЯ МАШИНА

бранной программы. Откройте дверцу и выключите машину, нажав кнопку ON/OFF.

Подождите несколько минут перед началом разгрузки посуды, чтобы не обжечься.

Начинайте разгрузку с нижней корзины.

Машина выключится автоматически при неиспользовании, чтобы снизить уровень потребления электроэнергии. Если посуда имеет легкие загрязнения или была вымыта под проточной водой до загрузки, уменьшайте количество моющего средства соответственно.

ИЗМЕНЕНИЕ ТЕКУЩЕЙ ПРОГРАММЫ

Если вы выбрали неверную программу, ее можно поменять, при условии, что она только началась. Откройте дверцу (опасайтесь ГОРЯЧЕГО ПАРА), нажмите и удерживайте кнопку ON/OFF, пока машина не выключится.

Снова включите машину, используя кнопку ON/OFF, и выбирайте новый цикл с нужными опциями. Начините цикл, закрыв дверцу.

ДОБАВЛЕНИЕ ПОСУДЫ

Без выключения машины, откройте дверцу (опасайтесь ГОРЯЧЕГО ПАРА), и догрузите посуду в машину. Закройте дверцу, цикл возобновится с места, где его прервали.

НЕОЖИДАННОЕ ПРЕКРАЩЕНИЕ РАБОТЫ

Если во время цикла мойки открывалась дверца или произошел сбой в подаче электропитания, программа остановится. Когда питание будет восстановлено или дверца машины вновь закрыта, цикл начнется с того места, где он был прерван.



СОВЕТЫ

ПОСУДА, НЕПРИГОДНАЯ ДЛЯ МЫТЬЯ

- ➔ деревянные столовые приборы и посуда;
- ➔ тонкие стаканы с росписью, антикварная посуда и посуда с художественным оформлением (при мытье такой посуды в машине декоративное оформление может пострадать);
- ➔ пластмассовая посуда, «чувствительная» к горячей воде;
- ➔ медная и оловянная посуда;
- ➔ посуда, испачканная золой, воском, смазкой или краской.

Расписные стаканы, алюминиевая и серебряная посуда могут изменить цвет или потускнеть после мойки в машине. Посуда из некоторых сортов стекла (например, из хрусталя) может помутнеть из-за частого мытья в машине.

ПОВРЕЖДЕНИЕ СТЕКЛЯННОЙ И ФАРФОРОВОЙ ПОСУДЫ

➔ Используйте только те сорта стекла и фарфора, изготовителями которых указано, что данная посуда пригодна для мойки в посудомоечной машине.

➔ Используйте моющие средства, на упаковках которых указано, что они не разъедают поверхность посуды.

➔ Во избежание повреждений стеклянную посуду и столовые приборы следует вынимать из машины, по возможности, сразу после окончания программы.

ГИГИЕНА

Раз в месяц запускайте цикл с высокой температурой, чтобы избежать неприятных запахов и загрязнений, накапливающихся в машине. Добавляйте чайную ложку моющего средства и включайте, не используя программу очистки.



УХОД И ОБСЛУЖИВАНИЕ

ВНИМАНИЕ: Во время чистки и любых работ по техобслуживанию выключайте машину из сети. Не используйте воспламеняющиеся жидкости для чистки.

ПОСУДОМОЕЧНАЯ МАШИНА

ОЧИСТКА ПОСУДОМОЕЧНОЙ МАШИНЫ

Все внутренние наклейки машины можно чистить губкой с небольшим количеством уксуса.

Внешние панели машины и панель управления можно мыть мягкой тряпкой и водой. Не используйте растворители и губки с шероховатыми поверхностями или подобные.



ПРЕДОТВРАЩЕНИЕ НЕПРИЯТНЫХ ЗАПАХОВ

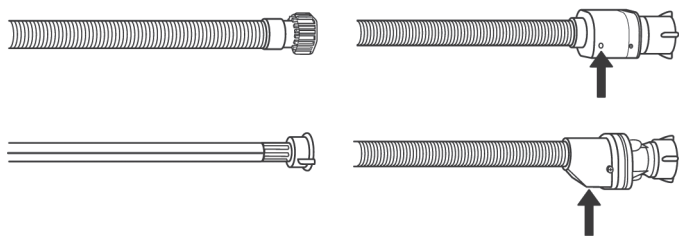
Всегда держите дверцу машины неплотно закрытой, чтобы образующаяся влажность не осталась в машине.

Регулярно чистите уплотнители на дверце и дозатор моющего средства влажной губкой. Вы избежите скопления остатков еды в уплотнителях, что является основной причиной появления неприятных запахов.

ПРОВЕРКА ШЛАНГА ПОДАЧИ ВОДЫ

Проверяйте и крепление, и входной шланг регулярно. В случае повреждения, замените на новый, обратившись в сервис или в магазин.

В зависимости от типа шланга:



Если впускной шланг прозрачный, время от времени проверяйте, нет ли на нем изменений. Если есть, возможно, протечка, шланг надо заменить.

Для шланга слива воды: проверьте окно маленького клапана (см. на рисунке, где стрелка). Если он красный, значит, сработала система блокировки подачи воды, и шланг надо заменить на новый.

Чтобы открутить шланг, надавите на кнопки фиксаторов и крутите.

ОЧИСТКА ШЛАНГА ПОДАЧИ ВОДЫ

Если шланг новый или не был использован в течение длительного времени, пропустите через него воду, пока не станет чистой и не будет осадков. Потом закручивайте. Если не провести эту предварительную процедуру, шланг может замусориться, что приведет к повреждению посудомоечной машины.

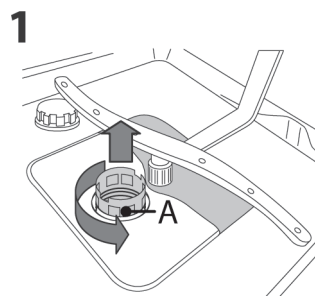
ОЧИСТКА ФИЛЬТРОВ

Регулярно очищайте фильтры, чтобы они не засорились, а использованная вода легко сливалась.

Узел фильтров состоит из трех фильтров, которые удерживают остатки еды, а после фильтрации снова пропускают воду. Их необходимо очищать для исправной работы машины.

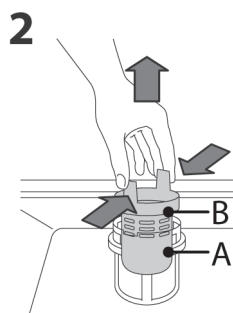
После нескольких циклов проверяйте фильтры и, если необходимо, очищайте их под проточной водой, используя щеточку (не металлическую), следуя следующим инструкциям:

1. Поверните цилиндрический фильтр А против часовой стрелки и потяните.

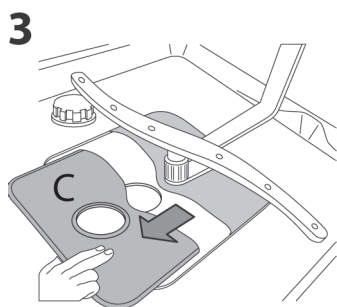


ПОСУДОМОЕЧНАЯ МАШИНА

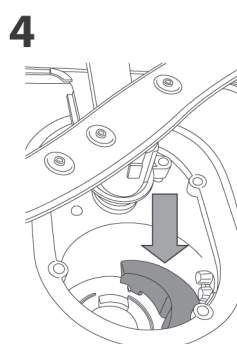
2. Вытащите чашу фильтра В, надавливая на боковые кнопки-фиксаторы.



3. Вытащите пластину из нержавеющей стали. Фильтр С.



4. Загляните внутрь, удалите остатки еды. НИКОГДА не вытаскивайте защиту насоса (черная деталь).



После очистки фильтров вставьте детали на место, надежно зафиксировав, для корректной работы оборудования.

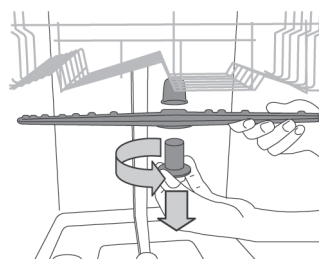
Посудомоечную машину нельзя использовать без фильтров, или если они изношены.

Проводите очистку фильтров регулярно.

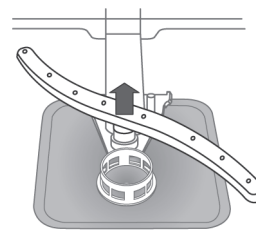
ОЧИСТКА РАЗБРЫЗГИВАТЕЛЕЙ

Бывают случаи, когда остатки еды оседают на разбрызгивателях и блокируют отверстия для воды. Рекомендуется время от времени проверять разбрызгиватели, и производить чистку маленькой щеточкой (не металлической).

Чтобы снять верхний разбрызгиватель, поверните пластиковое кольцо против часовой стрелки. Верхний разбрызгиватель необходимо снимать таким образом, чтобы сторона с большим количеством отверстий смотрела вверх.



Нижний разбрызгиватель можно снять, сжав боковые кнопки-фиксаторы и потянув разбрызгиватель вверх.



ДЛИТЕЛЬНОЕ НЕИСПОЛЬЗОВАНИЕ ПОСУДОМОЕЧНОЙ МАШИНЫ

Отсоедините оборудование от сети, перекройте кран подачи воды.

Оставьте дверцу машины приоткрытой.

При длительном неиспользовании, запустите программу с пустой машиной.

ПОСУДОМОЕЧНАЯ МАШИНА



ПОИСК И УСТРАНЕНИЕ НЕИСПРАВНОСТЕЙ

Ваша посудомоечная машина может не работать в некоторых случаях.

Прежде чем обращаться в Сервисный Центр, проверьте этот список неисправностей и способы их устранения.

ПРОБЛЕМА	ВОЗМОЖНАЯ ПРИЧИНА	РЕШЕНИЕ
Машина не включается и не реагирует на программы.	Вилка не плотно вошла в розетку.	Воткните глубже.
	Отключено питание.	Машина включится автоматически, когда появится электричество.
	Дверца плотно не закрыта.	С усилием закройте дверцу до характерного «щелк».
	Не реагирует на программы.	Выключите машину, нажав ON/OFF кнопку, включите через минуту, и снова установите программу
Дверца не закрывается.	Корзины на задвинуты до упора.	Проверьте расположение корзин.
	Дверца не закрыта.	С усилием закройте дверцу до характерного «щелк».
Не происходит слив.	Цикл еще не завершен.	Дождитесь окончания цикла.
	Шланг протекает.	Проверьте шланг на протечку (см. раздел Инструкция по Установке).
	Труба слива загрязнена.	Очистите трубу слива.
	Фильтр забит остатками еды.	Очистите фильтр (см. раздел Очистка Фильтров).
Машина издает посторонние звуки.	Посуда бьется друг о друга.	Правильно загружайте посуду (см. раздел Загрузка Корзин).
	Слишком много пены взбилось за цикл.	Добавлено чрезмерное количество моющего средства или оно не подходит для посудомоечных машин (см. раздел Загрузка Моющего Средства). Перезагрузите машину, нажав кнопку DRAIN (см. раздел Загрузка Корзин), запустите новую программу без моющего средства.
Посуда не высушена.	Выбранная программа не предусматривает фазу сушки.	Выясните в таблице программ, предусмотрена ли сушка.
	Ополаскиватель закончился или состав неподходящий.	Добавьте ополаскиватель или отрегулируйте уровень (см. раздел Дозировка Ополаскивателя).
	Посуда пластиковая или с анти-пригарным покрытием.	Наличие капель предусмотрено (см. раздел СОВЕТЫ).
Посуда загрязнена.	Посуда была небрежно загружена.	Загрузите посуду корректно (см. раздел Загрузка Корзин).
	Разбрызгиватели не могут вращаться свободно, их блокирует посуда.	Загрузите посуду корректно (см. раздел Загрузка Корзин).
	Цикл слишком мягкий и/или моющее средство малоэффективное.	Выберите подходящий цикл. (см раздел Таблица Программ).
	Образовался излишек пены (см. раздел Сервисный Центр).	Добавлено чрезмерное количество моющего средства, или оно не подходит для посудомоечных машин (см. раздел Загрузка Моющего Средства). Перезагрузите машину, нажав кнопку DRAIN (см. раздел Загрузка Корзин), запустите новую программу без моющего средства.
	Контейнер ополаскивателя не плотно закрыт.	Убедитесь, что контейнер плотно закрыт.
	Фильтр загрязнен или засорен.	Очистите фильтры. (см раздел Уход и Обслуживание).
	Нет соли.	Наполните резервуар солью (см раздел Пополнение Резервуара Соли).
Машина не загружает воду.	Нет воды в водопроводе или перекрыт кран.	Убедитесь, что есть вода и кран открыт.
	Шланг перекручен.	Убедитесь, что шланг не перекручен (см. раздел Установка), перепрограммируйте машину и перезагрузите.
	Сетчатый фильтр шланга подачи воды засорен; необходимо его почистить.	После проведения всех очистительных мер, выключите и включите машину, установите программу снова.
Посуда и стаканы в известковом налете или в белесой пленке.	Мало соли.	Наполните резервуар солью. (см. раздел Пополнение Резервуара Соли).
	Регулировка жесткости воды несоответствующая.	Увеличьте (см. раздел Таблица Жесткости Воды).
	Резервуар соли не закрыт плотно.	Убедитесь, что закрыт плотно.
	Ополаскиватель закончился или дозировка недостаточна.	Добавьте ополаскивателя или отрегулируйте уровень.
Посуда и стаканы с голубыми разводами/ голубоватым оттенком.	Слишком много ополаскивателя.	Отрегулируйте количество.

ПОСУДОМОЕЧНАЯ МАШИНА

УСТАНОВКА

ВНИМАНИЕ: Если вы планируете передвигать посудомоечную машину, ставьте ее вертикально; в особом случае можно положить на заднюю панель.

ПОДКЛЮЧЕНИЕ К ВОДОПРОВОДУ

Подключение машины к водопроводу может производить только профессиональный мастер. Шланги подачи и слива воды, которыми оборудована посудомоечная машина, можно поворачивать влево или вправо, в зависимости от места подключения. Убедитесь, что посудомоечная машина не пережимает и не перегибает шланги.

ПОДСОЕДИНЕНИЕ ШЛАНГА ПОДАЧИ ВОДЫ

➔ Пустите воду, пока не польется полностью чистая вода.

➔ Закрутите плотно шланг, затем открывайте кран.

Если длина шланга подачи воды недостаточна, обратитесь в специализированный магазин или к авторизованному мастеру.

Давление воды должно быть в пределах, указанных в таблице технических данных, иначе машина не сможет работать исправно.

Убедитесь, что шланг не пережат и не изогнут.

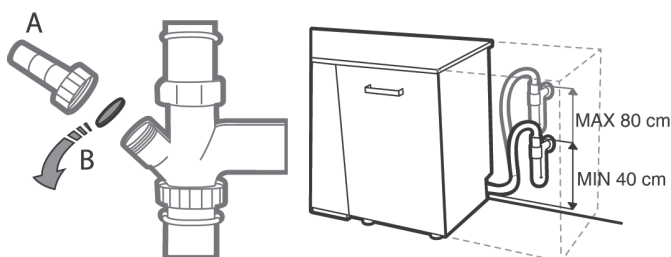
ТЕХНИЧЕСКИЕ ХАРАКТЕРИСТИКИ ПОДСОЕДИНЕНИЯ ШЛАНГА ПОДАЧИ ВОДЫ:

ПОДАЧА ВОДЫ	Холодная или горячая (макс. 60 °C)
ПОТРЕБЛЕНИЕ ВОДЫ	3 /4 gal
МОЩНОСТЬ ДАВЛЕНИЯ ВОДЫ	0,05 ÷ 1 МПа (0.5 ÷ 10 бар) 7,25- 145 ф. на квадр. дюйм

ПОДСОЕДИНЕНИЕ ШЛАНГА СЛИВА ВОДЫ

Соедините конец сливного шланга с канализационным стояком, внутренний диаметр которого 2 см. **A**.

Канализационное соединение должно находиться на высоте от 40 см. (минимум) до 80 см. (максимум) от дна посудомоечной машины.



Перед тем как прикручивать шланг слива к стояку, уберите пластиковую затычку **B**

ЗАЩИТА ОТ ПРОТЕКАНИЯ

Защита от протекания. Против протекания посудомоечная машина имеет:

➔ специальную систему, которая блокирует подачу воды в случае протечек или других неполадок внутри машины.


Часть моделей имеет дополнительное устройство New Aqua Stop, которое гарантирует защиту от протекания, даже в случае разрыва шланга.

Ни при каких условиях нельзя резать шланг, поскольку внутри проходят электрические элементы.

ПОДКЛЮЧЕНИЕ К ЭЛЕКТРОСЕТИ

⚡ ПРЕДУПРЕЖДЕНИЕ: Ни при каких условиях нельзя резать шланг, поскольку внутри проходят электрические элементы.

До того, как вставить вилку в розетку, убедитесь, что:

➔ Розетка  заземлена и отвечает техническим нормам.

➔ Розетка обладает мощностью, указанной как максимальная на внутренней стороне дверцы посудомоечной машины. (см. ОПИСАНИЕ ПРОДУКТА).

➔ Мощность сети совпадает с цифрами, указанными на внутренней стороне дверцы.

➔ Розетка подходит под вилку оборудования.

ПОСУДОМОЕЧНАЯ МАШИНА

Если не подходит, обратитесь к мастеру для замены вилки (см. раздел СЕРВИСНЫЙ ЦЕНТР). Не используйте переходники и адаптеры. Как только оборудование установлено, шнур и вилка должны быть в свободном доступе.

Шнур не должен быть скручен или пережат.

Если шнур поврежден, во избежание опасности, необходимо произвести замену через авторизованный сервисный центр.

Компания не несет ответственность за несчастные случаи при несоблюдении этих правил.

РАЗМЕЩЕНИЕ И ВЫРАВНИВАНИЕ

1. Поставьте оборудование на твердую поверхность. Если поверхность неровная, можно регулировать высоту передними ножками оборудования. Если все выровнено аккуратно, то оборудование будет стоять устойчиво, уменьшая вероятность вибраций, смещения или появления посторонних звуков во время работы.

2. До того как вы начнете крепить машину, наклейте прозрачную пленку под деревянную столешницу для защиты от конденсата.

3. Установите машину таким образом, чтобы боковая или задняя сторона касалась стены или шкафа. Машину можно устанавливать под столешницей.

4. Для того, чтобы изменить высоту ножек, поверните красную втулку в нижней части передней панели машины, используя ключ с головкой 8 мм. Поверните ключ по часовой стрелке, чтобы поднять, и против, чтобы опустить.

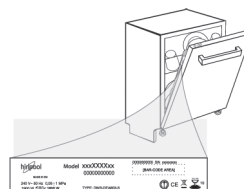
РАЗМЕРЫ, ВМЕСТИМОСТЬ И ПОТРЕБЛЕНИЕ В НЕАКТИВНОМ РЕЖИМЕ

ШИРИНА	595 мм.
ВЫСОТА	820 мм.
ГЛУБИНА	580 мм.
ВМЕСТИМОСТЬ	14 стандартных столовых наборов
ПОТРЕБЛЕНИЕ	С включенным табло - 5 Вт. С выключенным - 0,5 Вт.

**СЕРВИСНЫЙ ЦЕНТР**

Для обращения в сервисный центр, вам необходимо предоставить код изделия, указанный на левой или правой внутренней стороне дверцы. Номера телефонов указаны в гарантийном талоне или на сайте компании KUPPERSBERG

<http://www.kuppersberg.ru>

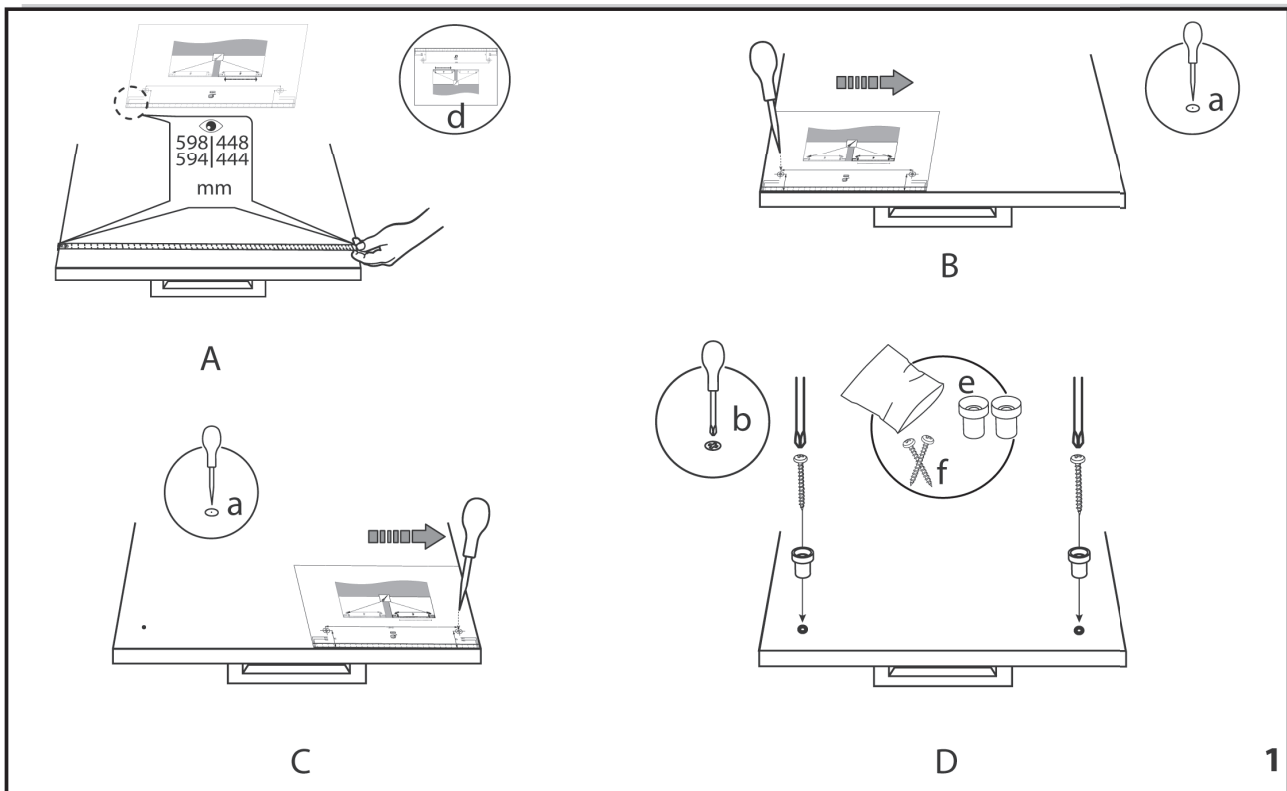
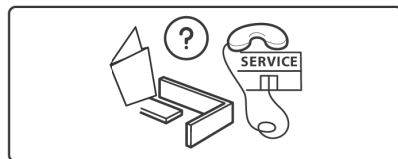
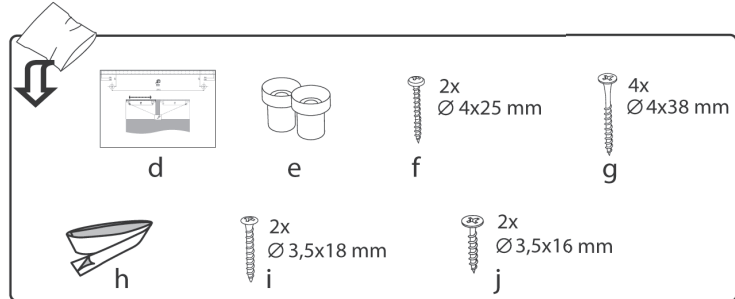
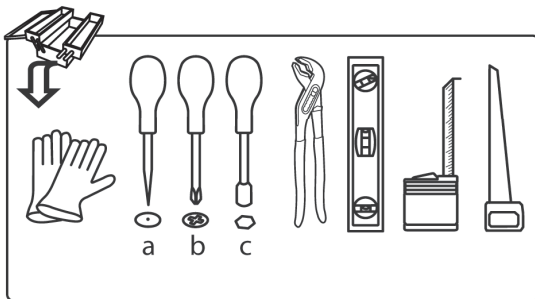
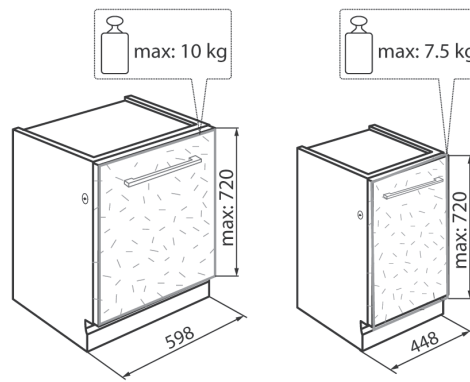
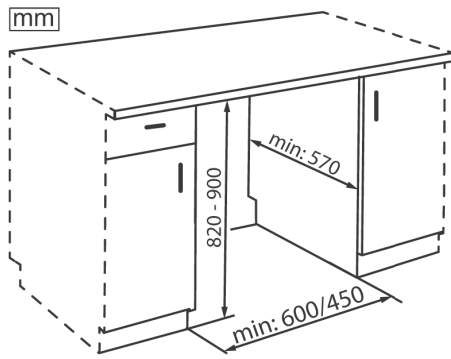
**ТЕХНИЧЕСКАЯ ИНФОРМАЦИЯ**

Техническую информацию о потреблении можно найти и скачать на сайте компании KUPPERSBERG.

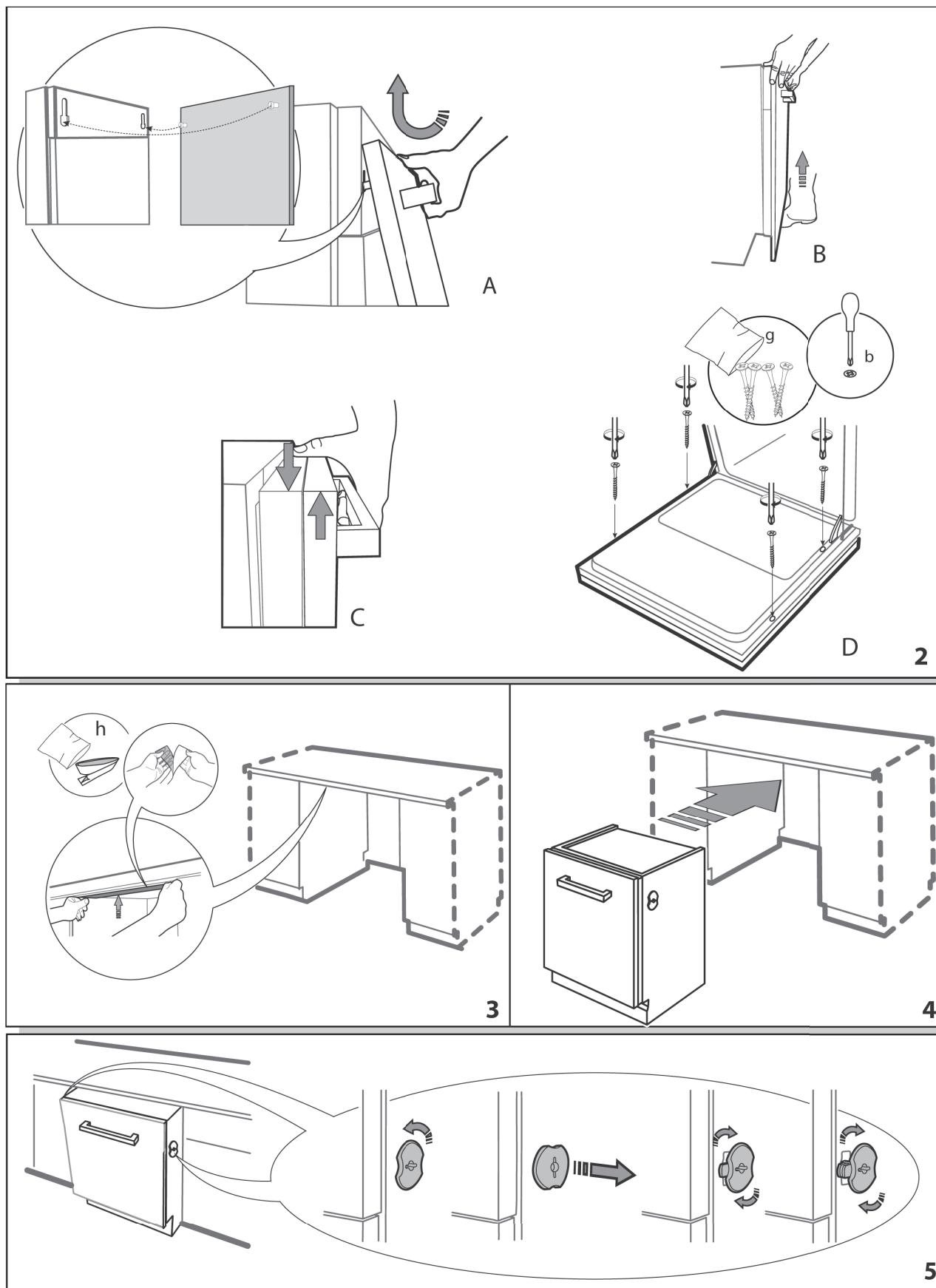
<http://www.kuppersberg.ru>

ПОСУДОМОЕЧНАЯ МАШИНА

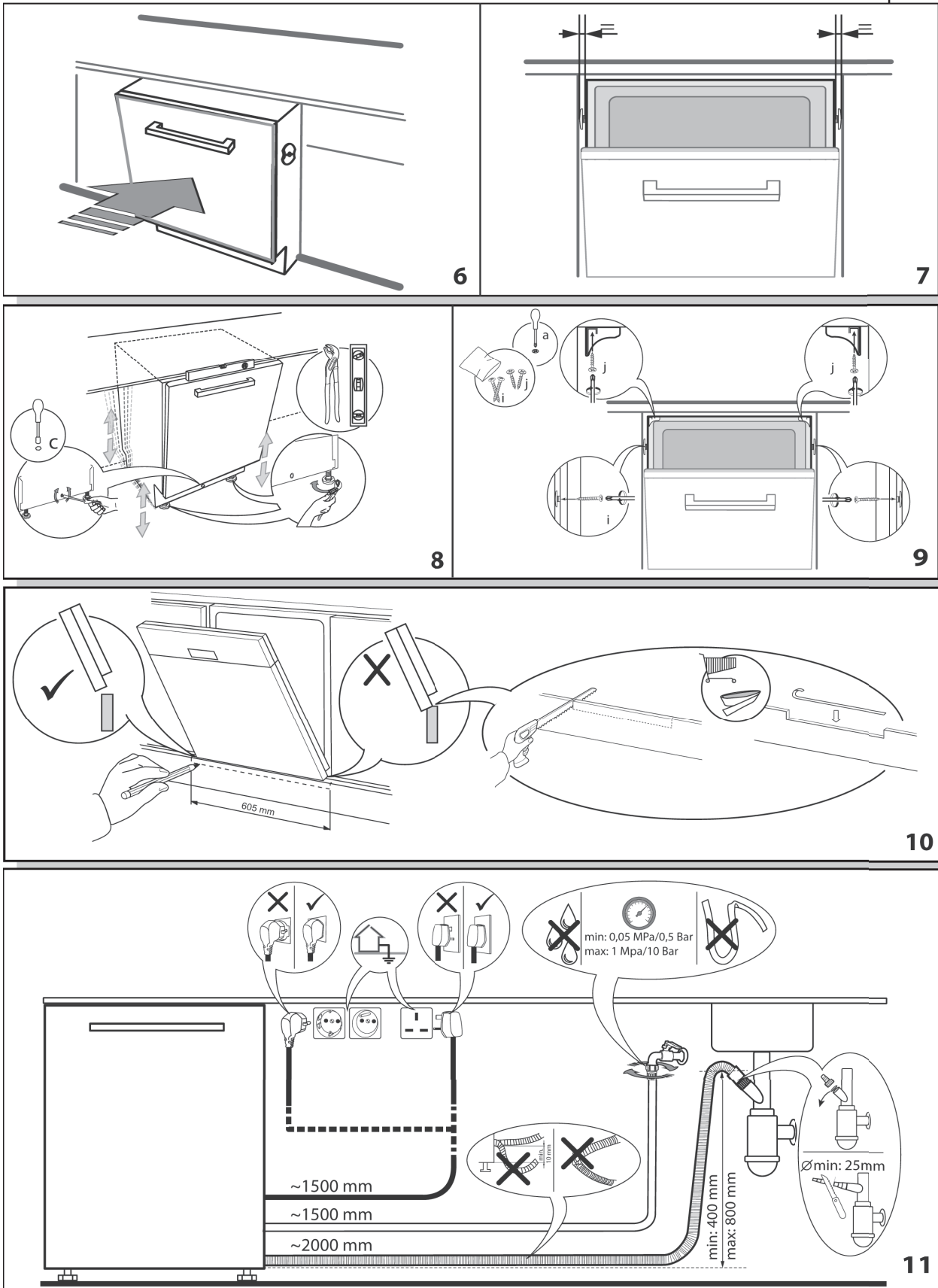
ИНСТРУКЦИЯ ПО УСТАНОВКЕ



ПОСУДОМОЕЧНАЯ МАШИНА

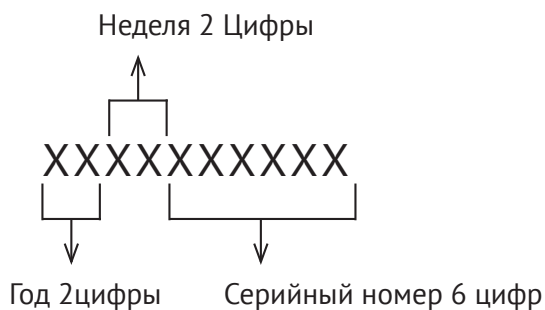


ПОСУДОМОЕЧНАЯ МАШИНА



ПОСУДОМОЕЧНАЯ МАШИНА

СЕРИЙНЫЙ НОМЕР:



ПРОИЗВОДИТЕЛИ:

Индезит (Польша)
 97500 г. Радомско, Ул. Мерлонего 4, Республика Польша

УПОЛНОМОЧЕННОЕ ПРОИЗВОДИТЕЛЕМ ЛИЦО/ИМПОРТЕР

ООО «Эм-Джи Русланд», 141400
 г.Химки, ул.Бутаково, д.4


ООО «Купперсберг-Импорт», 125438,
 г. Москва, ул. Автомоторная, д. 7

Сделано в Польше.



ООО «КУППЕРСБЕРГ-СЕРВИС»

УСТАНОВКА, ГАРАНТИЙНОЕ И ПОСТГАРАНТИЙНОЕ ОБСЛУЖИВАНИЕ
ПО МОСКВЕ И МОСКОВСКОЙ ОБЛАСТИ

 +7 (495) 236-90-67

Телефон горячей линии Kuppersberg:

 8 (800) 250-17-18

(Звонки для всех регионов бесплатные).

 Часы работы линии: с 9:00 до 18:00 Пн-Пт

➔ Полный список авторизованных сервисных центров Kuppersberg можно найти на официальном сайте компании:

 <http://kuppersberg.ru>

➔ Данный паспорт технического изделия заменяет гарантийный талон.

➔ Гарантийный срок исчисляется со дня заключения договора купли-продажи.

➔ При отсутствии документов, подтверждающих покупку, эти сроки исчисляются со дня изготовления товара (Ст. 19 ЗоЗПП, пункт 2).

УСЛОВИЯ ГАРАНТИИ

Настоящие условия гарантии действительны на территории России, если иные условия не установлены действующим законодательством:

1. Изготовитель устанавливает гарантийный срок 2 (два) года со дня передачи Потребителю на следующие виды техники: воздухоочистители, встраиваемую технику. Срок службы бытовой техники «Kuppersberg» при соблюдении правил эксплуатации и применения ее в бытовых целях составляет 10 (десять) лет.

2. Гарантия распространяется на изделия, используемые только для личных, семейных, домашних нужд, а также нужд, не связанных с осуществлением предпринимательской деятельности.

3. Сохраняйте гарантийный документ (чек на проданное изделие) и квитанцию на услуги по его установке (доставке), доработке водяных и электрических внутриквартирных коммуникаций, а также любые другие документы, относящиеся к гарантийному или техническому обслуживанию изделия.

4. Прежде чем вызвать специалиста сервисного центра, внимательно прочитайте инструкцию по эксплуатации изделия. Если изделие исправно, то за сервисным центром остается право требовать от Потребителя оплаты ложного вызова.

5. Любые претензии по качеству изделия рассматриваются только после предварительной проверки качества изделия представителем сервисного центра.

6. Изготовитель не несет какой-либо ответственности за любой возможный ущерб, нанесенный потребителю, в случае несоблюдения последним требований Изготовителя, указанных в данном гарантийном документе и инструкции по эксплуатации.

7. Гарантийный срок на элементы освещения (галогеновые, светодиодные и лампы накаливания) составляет 15 дней со дня продажи прибора.

Гарантия не распространяется на изделия, недостатки в которых возникли вследствие:

1. Несоблюдения требований Изготовителя, указанных в гарантийном документе;

2. Несоблюдения Потребителем правил установки, подключения, эксплуатации, хранения или транспортировки изделия, указанных в инструкции по эксплуатации;

3. Ремонта не уполномоченными на то лицами, если таковой ремонт повлек за собой отказ изделия;

4. Разборки изделия, изменения конструкции и других вмешательств, не предусмотренных инструкцией по эксплуатации;

5. Неисправностей и повреждений, вызванных экстренными условиями и действием непреодолимой силы (пожар, стихийные бедствия, и т.д.);

6. Повреждений техники или нарушений ее нормальной работы, вызванных животными или насекомыми;

7. Повреждений техники или нарушений ее нормальной работы, вызванных сверхнормативными отклонениями параметров сети электро-, газо- или водоснабжения от номинальных значений;

8. Использования изделия для предпринимательской деятельности или в непредусмотренных целях;

9. Образования на нагревательных элементах избыточного слоя накипи (при повышенной жесткости воды необходима обработка соответствующими составами);

10. Попадания во внутренние рабочие объемы изделия посторонних предметов, мелких деталей одежды или остатков пищи;

11. Механических повреждений изделия Потребителем (царапины, трещины, сколы и т.п.);

12. Потери товарного вида изделия вследствие воздействия на изделие химических веществ;

13. Термических и других подобных повреждений, которые возникли в процессе эксплуатации.

Изготовитель не принимает претензии в следующих случаях:

1. Несоблюдение правил установки;

2. Отсутствие наклейки с техническими параметрами прибора (модель, серийный номер, продуктовый номер)

Установка и подключение крупной бытовой техники:

1. Производитель рекомендует Вам доверить установку и подключение изделия «Kuppersberg» специалистам сервисного центра. Вы можете также обращаться в любую другую организацию, имеющую сертификат на оказание подобных услуг.

2. Оплата работ по установке и подключению изделия происходит по прейскуранту сервисного центра. Условия оплаты работ по установке и подключению регулируются действующим законодательством. Изготовитель не несет какой-либо ответственности за любой ущерб, нанесенный имуществу граждан вследствие установки и подключения, не соответствующих требованиям, указанным в инструкции по эксплуатации, и произведенных не уполномоченными на то лицами.

3. В случае нарушения требований Изготовителя по установке и подключению, ответственность за причиненный ущерб несет лицо, проводившее эту работу.

4. Газовая бытовая техника может быть установлена только специалистом, имеющим допуск на установку газового оборудования. Гарантийное обслуживание осуществляется только при наличии отметки об установке или документа уполномоченной организации.

Все приборы торговой марки Kuppersberg должны быть заземлены!

Technical data

EN	RU	
DISHWASHER	ПОСУДОМОЕЧНАЯ МАШИНА	F103510
Commercial code	Коммерческий код	GL 6088
Brand name	Бренд	KUPPERSBERG
Nominal voltage / frequency (V/Hz)	Номинальное напряжение / частота (В/Гц)	220-240 V / 50 Hz
Heating power (W)	Мощность нагрева (Вт/Вт)	1800
Number of programs	Количество программ	8
Place settings (capacity)	Количество комплектов посуды (вместимость)	14
Noise level dB(A) re 1 pW	Уровень шума дБ(А)	44
Net dimensions (H*W*D) (cm)	Размеры (BWD) (см)	82*49,5*58
Type of installation	Тип установки	Built-in Встраиваемый
Energy efficiency class*	Класс энергетической эффективности*	A+
Energy consumption (kWh/cycle)*	Потребление электроэнергии за 1 цикл (кВтч)*	1,05
Energy consumption (kWh/year)*	Годовое потребление электроэнергии (кВтч)*	298
Cleaning performance class*	Класс мойки*	A
Water consumption (L/cycle)*	Потребление воды за 1 цикл (л)*	9
Water consumption (L/year)*	Годовое потребление воды (л)*	2520
Program time (min)*	Продолжительность выполнения программы (мин)*	220
* Based on declared program "ECO"	* На основании заявленной программы	





⇒ **ВНИМАНИЕ!**

**ДАННЫЙ ПАСПОРТ
ИЗДЕЛИЯ
ТАК ЖЕ ЯВЛЯЕТСЯ
ГАРАНТИЙНЫМ ТАЛОНОМ,
ПРОСЬБА НЕ УНИЧТОЖАТЬ
ДО КОНЦА ЭКСПЛУАТАЦИИ
ТЕХНИКИ.**

⇒ Kuppersberg

⇒ www.kuppersberg.ru

⇒ info@kuppersberg.ru

